

TF Series Filter-Basic

It is mainly used for cleaning and effectively eliminates various impurities in the compressed air from compressors with automatic discharge structure, long service life, higher safety. There are multiple specifications for your choice.

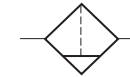


● TF2000-02 ● TF4000-04

● Ordering Code

TF	2000	02	U
Series	Type	Pipe size	Iron Shell
	1000	M5	No Mark :
	2000	01 : G1/8	2000 No Iron Shell
	3000	02 : G1/4	3000 ~ 5000 With Iron Shell
	4000	03 : G3/8	U:2000 With Iron Shell
	5000	04 : G1/2	
		06 : G3/4	
		10 : G1	

■ Graphics Sign

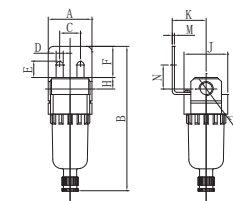


■ Technical Parameter

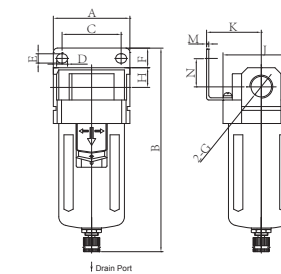
Specification	TF1000-M5	TF2000-02/01	TF3000-03/02	TF4000-04/03	TF4000-06	TF5000-10/06
Applicable Medium	Air					
Rating Flow(L/min)	110	750	1500	4000	6000	7000
Filtration	5 μm ~ 40 μm					
Applicable Pressure Range	0.05~1.0MPa					
Medium Temperature	0 ~ 60°C					
Drain Holding Capacity	4cm ³	15cm ³	20cm ³	45cm ³		130cm ³

■ Figure Dimension

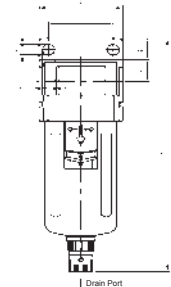
● TF1000-M5
TF2000-02/01



● TF3000-03/02 TF4000-04/03
TF4000-06 TF4000-10/06



● TF5000-10/06



Type	A	B	C	D	E	F	G	H	J	K	M	N
TF1000-M5	25	73	28	6.5	4.5	10	M5	7	27	25	2	14
TF2000-02/01	40	150	19	6.5	16.5	24	G1/4	11	40	30	2.3	22
TF3000-03/02	53	146	40	8	6.5	17	G3/8	14	53	41	2.3	23
TF4000-04/03	70	182	54	10	8.5	18	G1/2	18	70	50	2.3	26
TF4000-06	70	182	54	10	8.5	18	G3/4	18	70	50	2.3	30
TF5000-10/06	90	244	66	13	11	23	G1	22	90	65	3.2	38



TF Series Filter—Automatic drain type

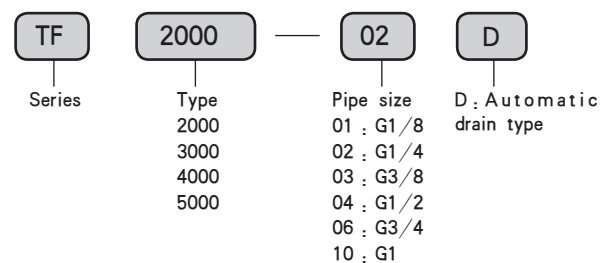


● TF2000-02D ● TF3000-03D ● TF4000-04D

● Character

Standard auto drain design, compact structure, convenient assembling. It can clear the water in cup without manually

● Ordering Code

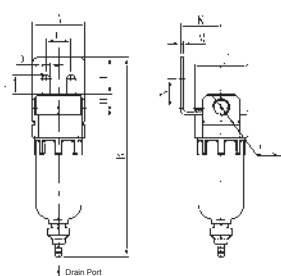


■ Technical Parameter

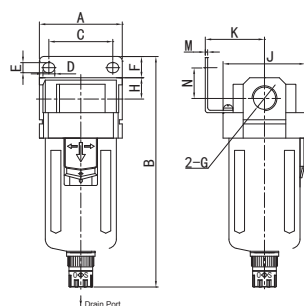
Specification	TF2000-02D/01D	TF3000-03D/02D	TF4000-04D/03D	TF4000-06D	TF5000-10D/06D
Applicable Medium	Air				
Rating Flow(L/min)	750	1500	4000	6000	7000
Filtration	5 μm ~ 40 μm				
Applicable Pressure Range	0.15 ~ 0.85MPa				
Medium Temperature	0 ~ 60°C				
Drain Holding Capacity	15cm ³	20cm ³	45cm ³		130cm ³

■ Figure Dimension

● TF2000-02/01



● TF3000-03D/02D TF4000-06D
 TF4000-04D/03D TF4000-10D06D



Type	A	B	C	D	E	F	G	H	J	K	M	N
TF2000-02D/01D	40	170	19	6.5	16.5	28	G1/4	11	40	30	2.3	22
TF3000-03D/02D	53	166	40	8	6.5	17	G3/8	14	53	41	2.3	23
TF4000-04D/03D	70	206	54	10	8.5	18	G1/2	18	70	50	2.3	26
TF4000-06D	70	206	54	10	8.5	18	G3/4	18	70	50	2.3	30
TF5000-10D/06D	90	280	66	13	11	23	G1	22	90	65	3.2	38

TF Series Filter—Metal cups type

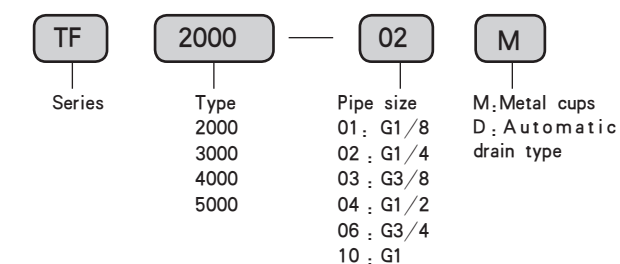


● TF2000-02M ● TF3000-03M ● TF4000-04M
 ● TF2000-02DM ● TF3000-03DM ● TF4000-04DM

● Character

Metal cup is of metal material die-casting forming. It's reliable, durable ability and anti-explosion. Besides, it has long use life and safe use.

● Ordering Code

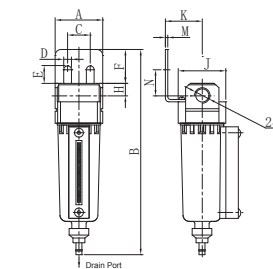


■ Technical Parameter

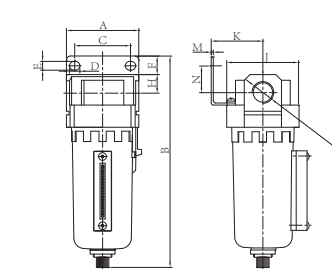
Specification	TF2000-02M/02DM/01M/01DM	TF3000-03M/03DM/02M/02DM	TF4000-04M/04DM/03M/03DM	TF4000-06M/06DM	TF5000-10M/10DM/06M/06DM
Applicable Medium	Air				
Rating Flow(L/min)	750	1500	4000	6000	7000
Filtration	5 μm ~ 40 μm				
Applicable Pressure Range	0.05 ~ 0.85MPa				
Medium Temperature	0 ~ 60°C				
Drain Holding Capacity	15cm ³	20cm ³	45cm ³		130cm ³

■ Figure Dimension

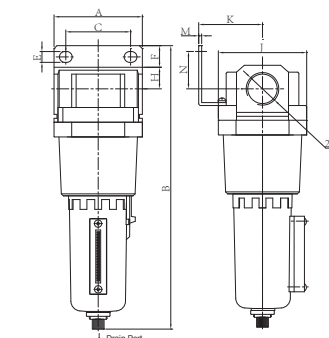
● TF2000-02M/01M



● TF3000-03M/02M TF4000-06M/04M/03M



● TF5000-10M/06M



Type	A	B	C	D	E	F	G	H	J	K	M	N	Automatic drain B
TF2000-02M/02DM/01M/01DM	40	170	19	6.5	16.5	28	G1/4	11	40	30	2.3	22	153.5
TF3000-03M/03DM/02M/02DM	53	151	40	8	6.5	17	G3/8	14	53	41	2.3	23	166
TF4000-04M/04DM/03M/03DM	70	191	54	10	8.5	18	G1/2	18	70	50	2.3	26	206
TF4000-06M/06DM	70	191	54	10	8.5	18	G3/4	18	70	50	2.3	30	206
TF5000-10M/10DM/06M/06DM	90	265	66	13	11	23	G1	22	90	65	3.2	38	280