

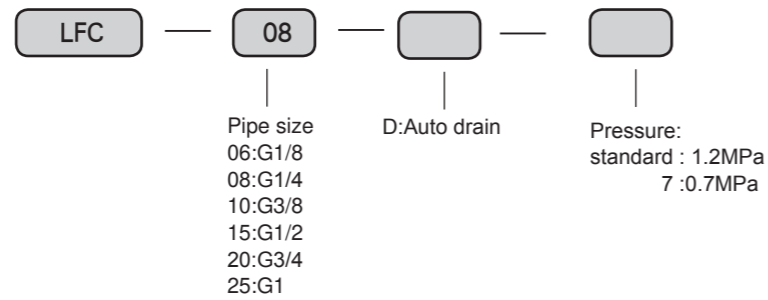
LFC Series treatment Triplet



Character

LFC triplet type is composed of filter regulator LFR and lubricator LOE. These parts can be ordered separately. Water division filter can filtrate filth, pipe scale, rust and condensate water of the above air. As for special application, 5um filter element can be easily changed into 40um standard filter element.

Ordering Code



Graphics Sign

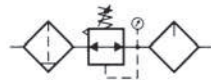
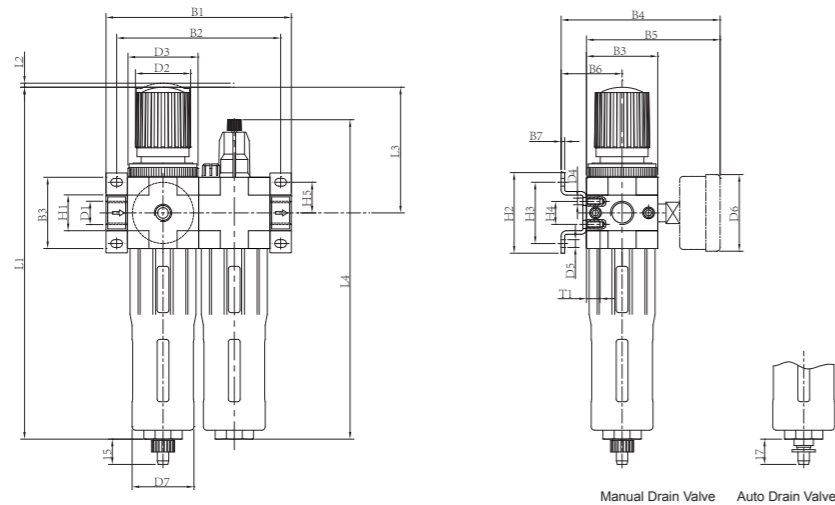


Figure Dimension



Type	B1	B2	B3	B4	B5	D1	D2	D3	D4	D6	D7	H1	H4	L1	L3	L4
LFC-06	104	92	40	96	77	G1/8	31	M36x1.5	M4	39	38	20	11	194	69	169
LFC-08	104	92	40	96	77	G1/4	31	M36x1.5	M4	39	38	20	11	194	69	169
LFC-10	110	125	55	113	94	G3/8	50	M52x1.5	M5	50	52	32	22	250	98	204
LFC-15	140	125	55	113	94	G1/2	50	M52x1.5	M5	50	52	32	22	250	98	204
LFC-20	162	146	66	126	105	G3/4	49	M52x1.5	M5	50	65	32	22	275	105	228
LFC-25	182	157	66	126	105	G1	49	M52x1.5	M5	50	65	40	22	275	105	228

LFC Series treatment Triplet

Technical Parameter

Order	Type						
Working pressure 12 bar	Manual Drain Valve	LFC-06	LFC-08	LFC-10	LFC-15	LFC-20	LFC-25
	Auto Drain Valve	LFC-06-D	LFC-08-D	LFC-10-D	LFC-15-D	LFC-20-D	LFC-25-D
Working pressure 7 bar	Manual Drain Valve	LFC-06-7	LFC-08-7	LFC-10-7	LFC-15-7	LFC-20-7	LFC-25-7
	Auto Drain Valve	LFC-06-D-7	LFC-08-D-7	LFC-10-D-7	LFC-15-D-7	LFC-20-D-7	LFC-25-D-7
Pressure gauge	Use for 0 ~ 12 bar FRL	Y40-16-1/8			Y50-161/4		
	Use for 0 ~ 7 bar FRL	Y40-10-1/8			Y50-10-1/4		
Applicable Medium	Air						
Structural features	Sintered with water separator filter; MINI/MIDI: Diaphragm valve; MAXI: Piston valve						
Connection size		G1/8	G1/4	G3/8	G1/2	G3/4	G1
Standard nominal	LFC-...-D-...	750	1400	3100	3400	3600	3800
flow rate	LFC-...-D-7...	900	1500	3400	3900	5000	5200
Input pressure	Manual Drain Valve	0.1 ~ 1.6bar					
	Auto Drain Valve	0.15 ~ 1.2bar					
Working pressure	0.05 ~ 1.2 bar/0.05 ~ 07 bar						
Filtration	40um/5 um						
Max limeset capacity		22ml		43ml	80ml		
Medium Temperature	0 ~ +60°C						