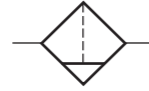


GF Series Filter

Ordering Code

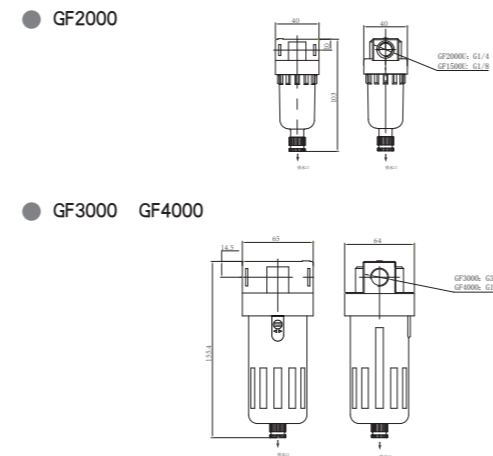
GF	2000	U
Series	Typ 1500 2000 3000 4000	Iron Shell No Mark : 1500 ~ 2000 No Shell 3000 ~ 4000 With Shell U: 1500 ~ 2000 With Shell

Graphics Sign



● GF2000 ● GF3000

Figure Dimension



● GF2000

● GF3000 GF4000

Technical Parameter

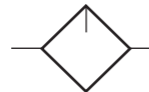
Specification	GF1500	GF2000	GF3000	GF4000
Applicable Medium	Air			
Pipe Size	G1/8	G1/4	G3/8	G1/2
Filtration	5 μm ~ 40 μm			
Applicable Pressure Range	0.05 ~ 0.9MPa			
Medium Temperature	0 ~ 60°C			
Drain Holding Capacity	15cm ³		60cm ³	

GL Series Oil Sprayer

Ordering Code

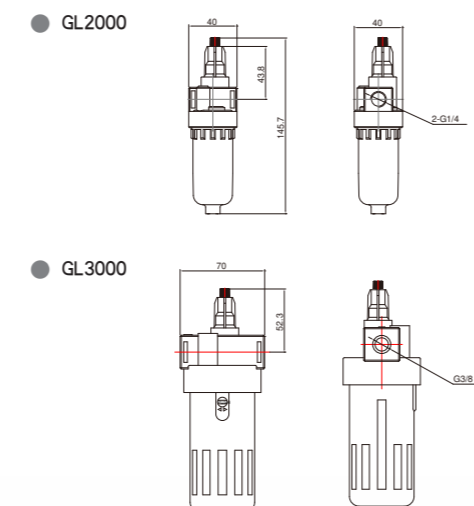
GL	2000	U
Series	Typ 1500 2000 3000 4000	Iron Shell No Mark : 1500 ~ 2000 No Shell 3000 ~ 4000 With Shell U: 1500 ~ 2000 With Shell

Graphics Sign



● GL2000 ● GL3000

Figure Dimension



● GL2000

● GL3000

Technical Parameter

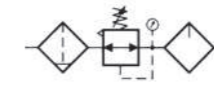
Specification	GL1500	GL2000	GL3000	GL4000
Applicable Medium	Air			
Pipe Size	G1/8	G1/4	G3/8	G1/2
Max Pressure	0.9MPa			
Recommended Lubricating Oil	ISOVG32 or Equivalent			
Applicable Medium	0.9MPa			
Medium Temperature	0 ~ 60°C			
Drain Holding Capacity	25cm ³		90cm ³	

GFC Series Treatment Dyad

Ordering Code

GFC	2000	U
Series	Type 1500 2000 3000 4000	Iron Shell No Mark : 1500 ~ 2000 No Shell 3000 ~ 4000 With Shell U: 1500 ~ 2000 With Shell

Graphics Sign

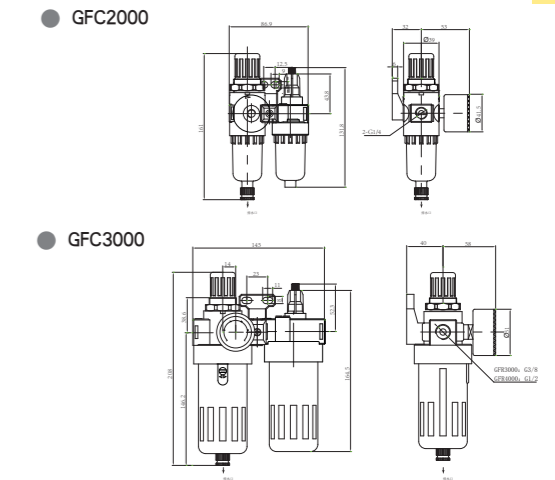


● GFC2000 ● GFC3000

Technical Parameter

Specification	GFC1500	GFC2000	GFC3000	GFC4000	
Applicable Medium	Air				
Pipe Size	G1/8	G1/4	G3/8	G1/2	
Filtration	5 μm ~ 40 μm				
Applicable Pressure Range	0.05 ~ 0.9MPa				
Medium Temperature	0 ~ 60°C				
Recommended Lubricating Oil	ISOVG32 or Equivalent				
Type of Valve	Relief Type				
Gauge Port Size	G1/8		G1/4		
Components	Filter Regulator	GFR1500	GFR2000	GFR3000	GFR4000
	Air Lubricator	GL1500	GL2000	GL3000	GL4000

Figure Dimension



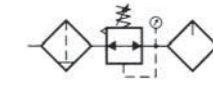
● GFC2000

● GFC3000

Ordering Code

GC	2000	U
Series	Type 1500 2000 3000 4000	Iron Shell No Mark : 1500 ~ 2000 No Shell 3000 ~ 4000 With Shell U: 1500 ~ 2000 With Shell

Graphics Sign



GC Series Treatment Triplet

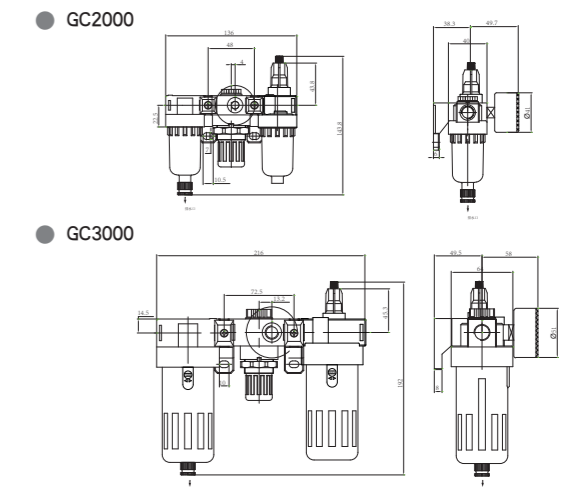


● GC2000 ● GC3000

Technical Parameter

Specification	GC1500	GC2000	GC3000	GC4000	
Applicable Medium	Air				
Pipe Size	G1/8	G1/4	G3/8	G1/2	
Filtration	5 μm ~ 40 μm				
Applicable Pressure Range	0.05 ~ 0.9MPa				
Medium Temperature	0 ~ 60°C				
Recommended Lubricating Oil	ISOVG32 or Equivalent				
Type of Valve	Relief Type				
Gauge Port Size	G1/8		G1/4		
Components	Air Filter	GF1500	GF2000	GF3000	GF4000
	Air Regulator	GR1500	GR2000	GR3000	GR4000
	Air Lubricator	GL1500	GL2000	GL3000	GL4000

Figure Dimension



● GC2000

● GC3000