

UWK Series Normally Open Solenoid Valve



● UWK-25

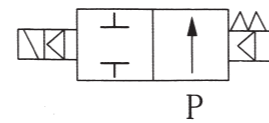


● UWK-20



● UWK-15

■ Graphics Sign



● Ordering Code

UWK
Series

10
Pipe size

- 10 : ZG3/8
- 15 : ZG1/2
- 20 : ZG3/4
- 25 : ZG1
- 35 : ZG1 1/4
- 40 : ZG1 1/2
- 50 : ZG2

AC220V
Standard Voltage

- AC220V
- AC110V
- DC24V

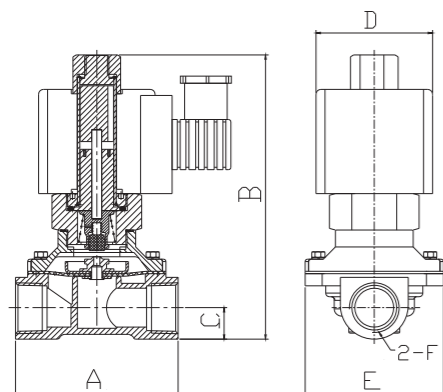
■ Character

This guiding type valve adopts the diaphragm seal structure, with zero differential pressure starting function, large flow, simple structure, easy maintenance, good waterproof performance directions and multiple wiring directions.

■ Technical Parameter

Item \ Specification	UWK-10	UWK-15	UWK-20	UWK-25	UWK-35	UWK-40	UWK-50
Material of Body	Cast copper						
Operating Method	Film Pilot						
Nominal Diameter (mm)	16	20	20	25	37	37	50
Applicable Medium	Air, Water, Oil (50CST Below)						
Pressure Range	0 ~ 0.8MPa						
Medium Temperature	-10 ~ 60°C (No Freeze)						
Specified Voltage	AC24V, AC36V, AC110V, AC220V, DC24V, DC110V						
Operating Voltage Range	±10%						
Min. Activating Time	0.05S						
Install Method	Horizontal Installation						
Power	AC220V : 12.5VA, DC24V : 22.5W						

■ Figure Dimension



Specification	A	B	C	D	E	F
UWK-10	70	128	16	48	57	ZG3/8
UWK-15	70	128	16	48	57	ZG1/2
UWK-20	78	136	17	48	57	ZG3/4
UWK-25	102	145	23	48	73	ZG1
UWK-35	122	185	25	63	94	ZG1 1/4
UWK-40	122	190	28	63	94	ZG1 1/2
UWK-50	170	212	35	63	124	ZG2

TE Series Solenoid Valve



● TE-15

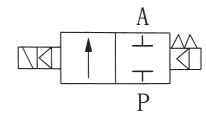


● TE-20



● TE-25

■ Graphics Sign



● Ordering Code

TE
Series

10
Pipe size

- 10 : ZG3/8
- 15 : ZG1/2
- 20 : ZG3/4
- 25 : ZG1

AC220V
Standard Voltage

- AC220V
- AC110V
- DC24V

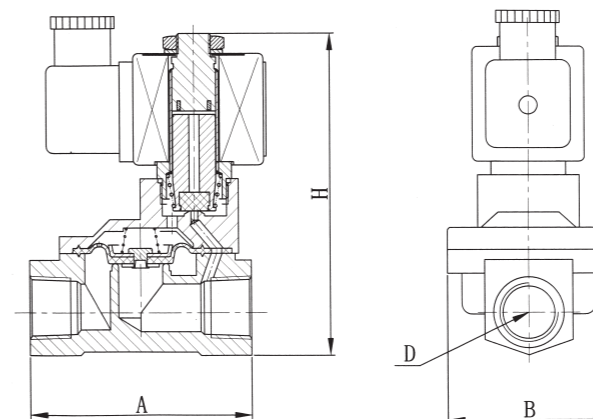
■ Specific Property

This guiding type valve adopts the diaphragm seal structure with quick action, large flow, simple structure, easy maintenance, good waterproof performance and multiple wiring directions.

■ Technical Parameter

Item \ Specification	TE-10	TE-15	TE-20	TE-25
Material of Body	Brass			
Operating Method	Film Pilot			
Nominal Diameter (mm)	13	13	20	25
Applicable Medium	Air	Water	Oil (50CST Below)	
Pressure Range	-10 ~ 60°C	1 ~ 60°C	-5 ~ 60°C	
Medium Temperature	0.1 ~ 1MPa			
Specified Voltage	AC24V, AC110V, AC220V, DC24V			
Operating Voltage Range	±10%			
Min. Activating Time	0.05S			
Power	AC220V : 13VA, DC24V : 9W			

■ Figure Dimension



Specification	A	B	D	H
TE-10	66	48	ZG3/8	112
TE-15	66	48	ZG1/2	112
TE-20	96	70	ZG3/4	131
TE-25	96	70	ZG1	131