

### TG Series Air Valve

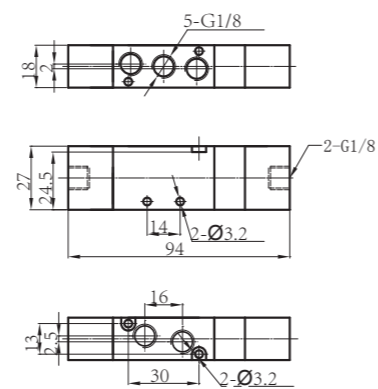
#### 3 Positions/5 Ports Air Valve



- TG3512A-06C
- TG3512A-06E
- TG3512A-06P



- TG3512A-06C
- TG3512A-06E
- TG3512A-06P



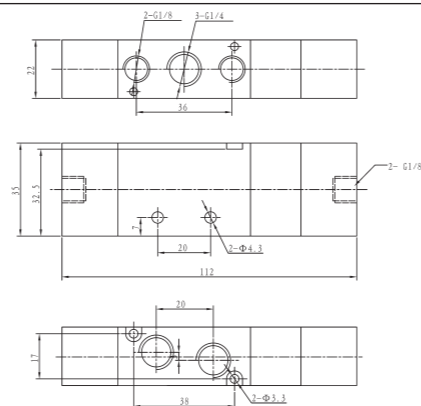
#### 3 Positions/5 Ports Air Valve



- TG3522A-08C
- TG3522A-08E
- TG3522A-08P



- TG3522A-08C
- TG3522A-08E
- TG3522A-08P



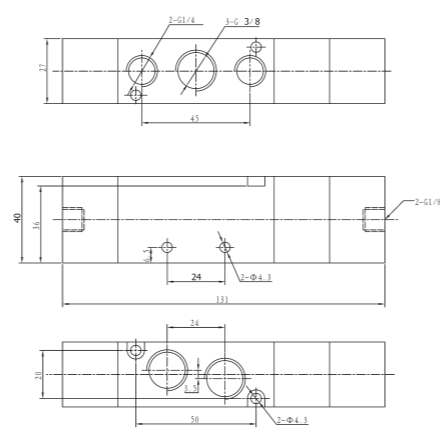
#### 3 Positions/5 Ports Air Valve



- TG3532A-10C
- TG3532A-10E
- TG3532A-10P



- TG3532A-10C
- TG3532A-10E
- TG3532A-10P



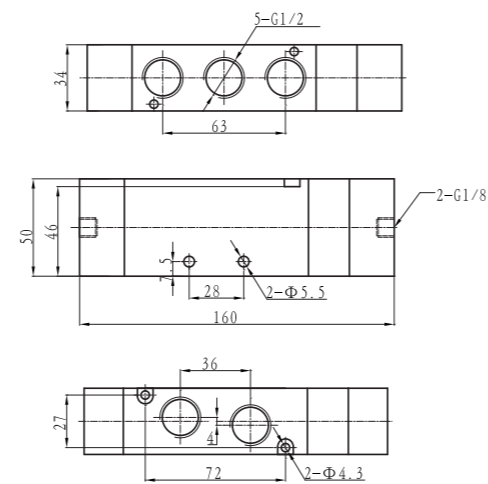
#### 3 Positions/5 Ports Air Valve



- TG3542A-15C
- TG3542A-15E
- TG3542A-15P



- TG3542A-15C
- TG3542A-15E
- TG3542A-15P

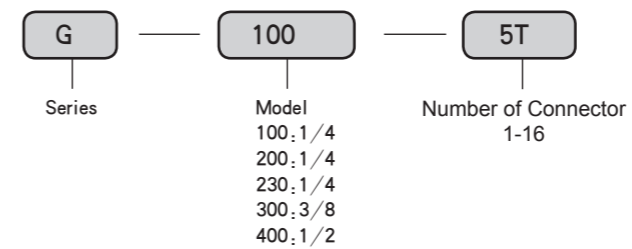


### G Series Manifold

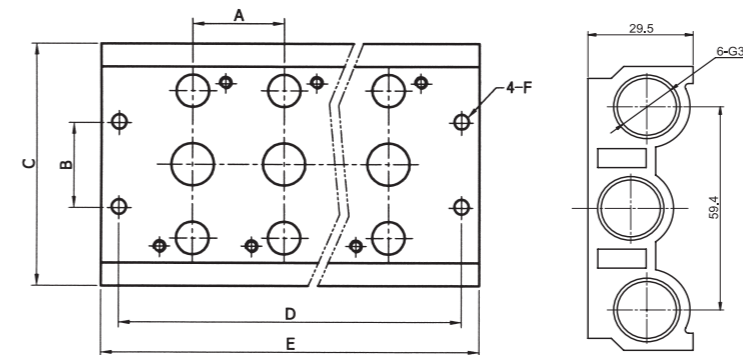


- G100-5T
- G200-5T
- G300-5T
- G400-5T
- G230-5T

#### Ordering Code

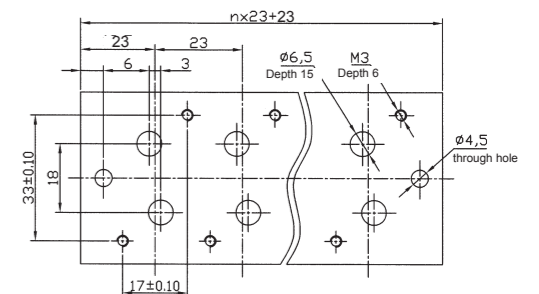
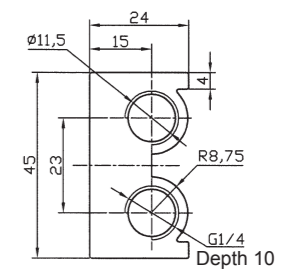


#### Figure Dimension

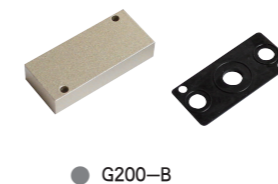


Manifold Type	A	B	C	D	E	F	G	H	I
G100 □ T	19	20	58	19(n-1)+28	19(n-1)+38	φ 4.5	G1/4	40	25
G200 □ T	23	20	60	23(n-1)+35	23(n-1)+46	φ 4.5	G1/4	42	25
G300 □ T	28	26	74	28(n-1)+45	28(n-1)+56	φ 4.5	G3/8	50	30
G400 □ T	35	32	100	35(n-1)+56	35(n-1)+70	φ 4.5	G1/2	65	41

#### Figure Dimension (G230)



### Blank Plate For G Series Manifold



- G200-B

#### Ordering Code

