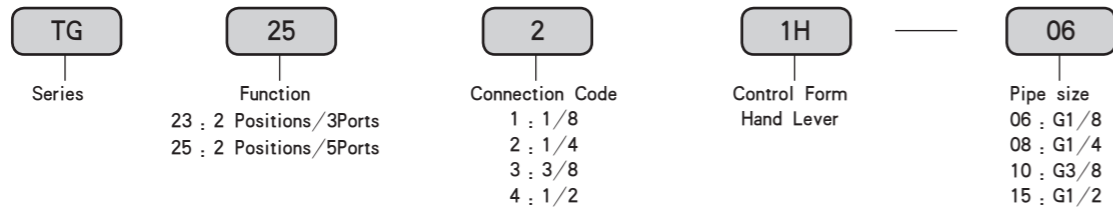


### TG series hand valve

● **Character** Product design, compact, good looks, with the operating force, easy to use and so on. Pneumatic devices were widely used in control devices.

● **Ordering Code**

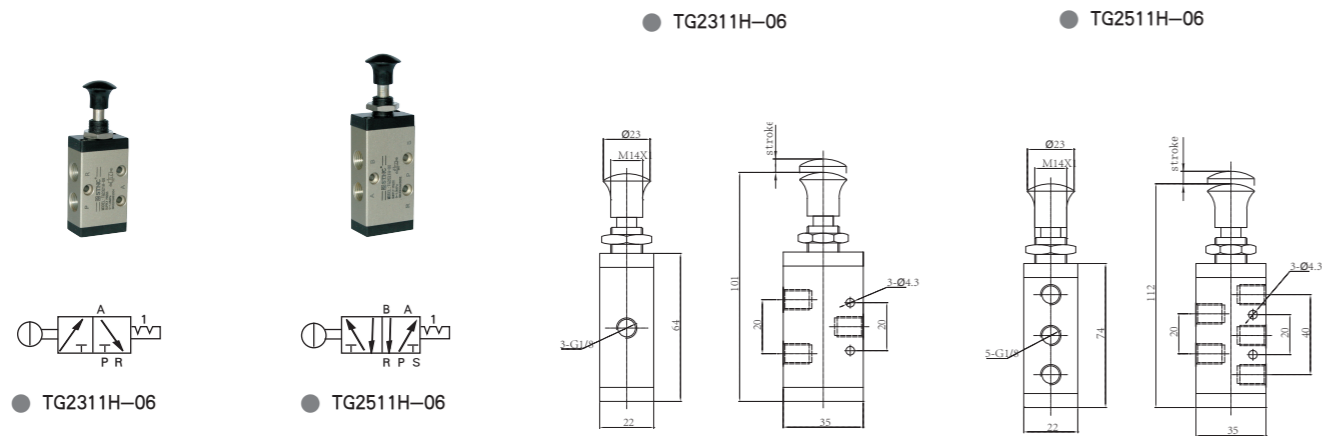


■ **Technical Parameter**

| Item       | Function                | Pipe Size | Nominal Diameter (mm) | Applicable Medium | Applicable Pressure Range | Operating Method | Lubrication | Medium Temperature |
|------------|-------------------------|-----------|-----------------------|-------------------|---------------------------|------------------|-------------|--------------------|
| TG2311H-06 | 2 Positions/<br>3 Ports | G1/8      | 6                     | Air               | 0 ~ 1.0MPa                | Manually Control | Needless    | -5 ~ 60°C          |
| TG2321H-08 |                         | G1/4      | 8                     |                   |                           |                  |             |                    |
| TG2331H-10 |                         | G3/8      | 10                    |                   |                           |                  |             |                    |
| TG2341H-15 |                         | G1/2      | 15                    |                   |                           |                  |             |                    |
| TG2511H-06 | 2 Positions/<br>5 Ports | G1/8      | 6                     |                   |                           |                  |             |                    |
| TG2521H-08 |                         | G1/4      | 8                     |                   |                           |                  |             |                    |
| TG2531H-10 |                         | G3/8      | 10                    |                   |                           |                  |             |                    |
| TG2541H-15 |                         | G1/2      | 15                    |                   |                           |                  |             |                    |

■ **Figure Dimension**

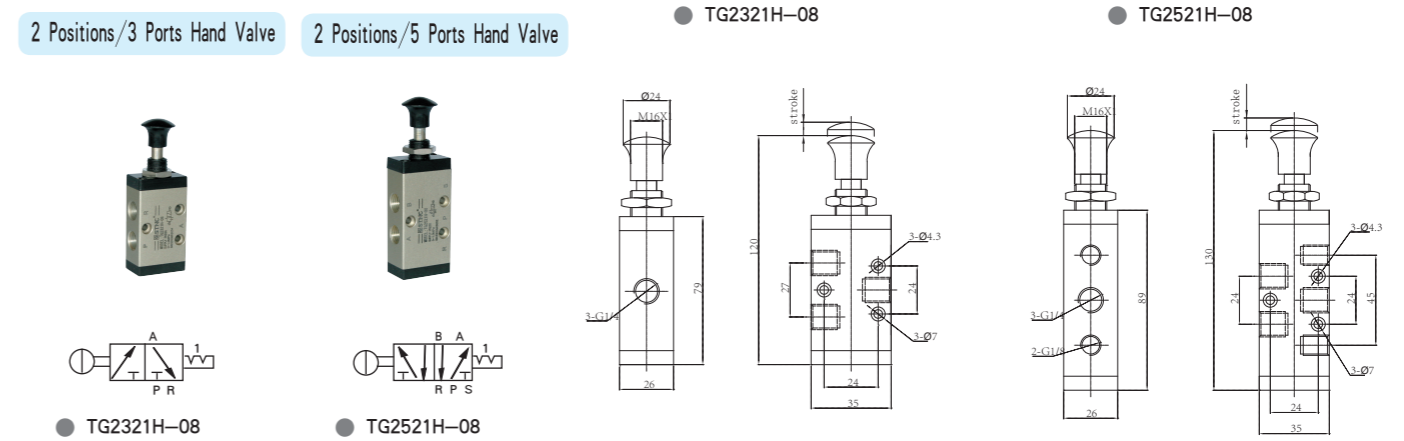
2 Positions/3 Ports Hand Valve    2 Positions/5 Ports Hand Valve



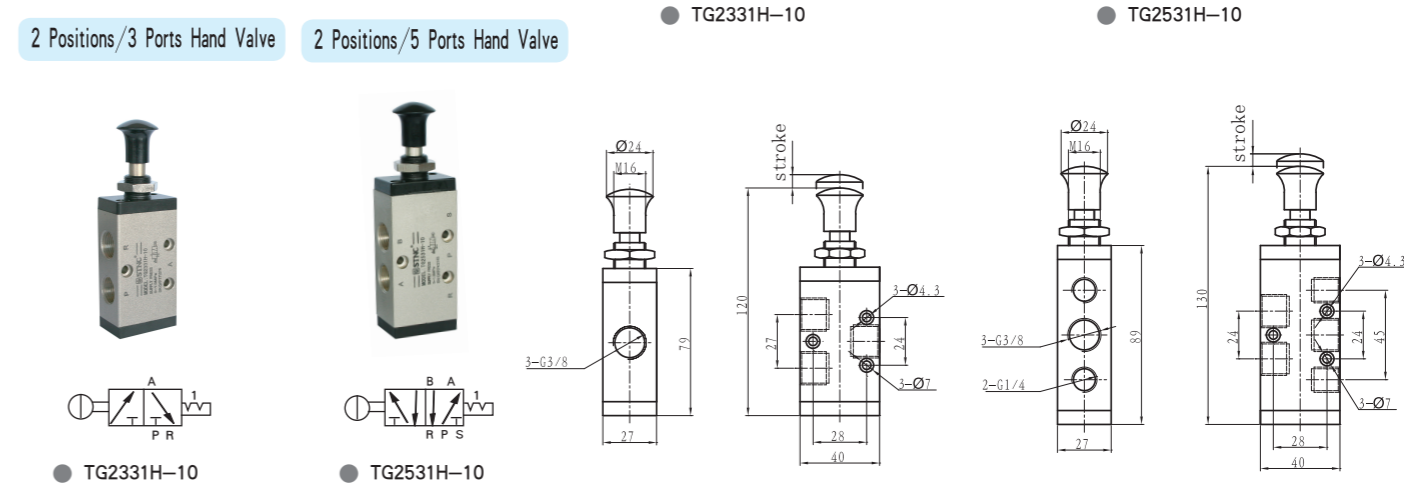
### TG series hand valve

■ **Figure Dimension**

2 Positions/3 Ports Hand Valve    2 Positions/5 Ports Hand Valve



2 Positions/3 Ports Hand Valve    2 Positions/5 Ports Hand Valve



2 Positions/3 Ports Hand Valve    2 Positions/5 Ports Hand Valve

