



● UWS-50



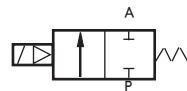
● UWS-25



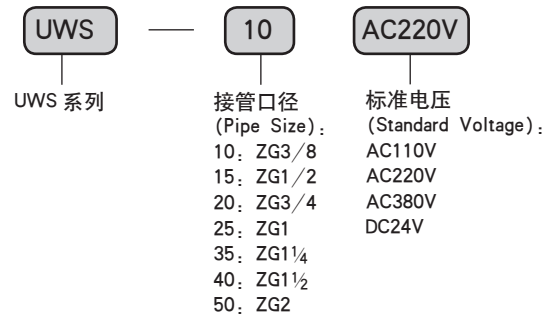
● UWS-15

## UWS 系列电磁阀 (UWS Series Solenoid Valve)

### ■ 图形符号 (Graphics Sign)



### ● 订购代码 (Ordering Code)



### ■ 特长

采用膜片密封结构, 具有零压差起动功能。  
阀体采用不锈钢, 具有耐腐蚀功能。  
流量大, 结构简单、维修容易。  
优良的防水性能。  
配线方向灵活。

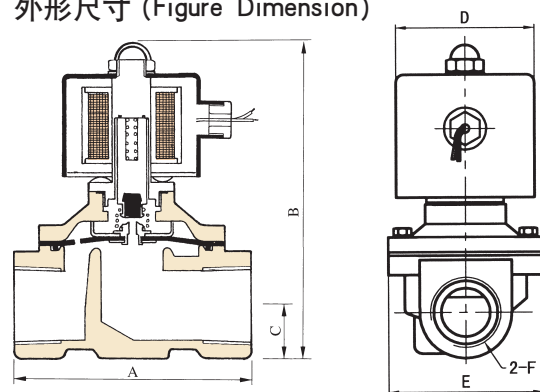
### Specific Property:

This guiding type valve adopts the diaphragm seal structure, with zero differential pressure starting function. The body adopts stainless steel, with anticorrosion, large flow, simple structure, easy maintenance, good waterproof performance and multiple wiring directions.

### ■ 技术参数 (Technical Parameter)

| 项目 (Item) \ 规格 (Specification)   | UWS-10                                                                             | UWS-15 | UWS-20 | UWS-25 | UWS-35  | UWS-40  | UWS-50 |       |        |
|----------------------------------|------------------------------------------------------------------------------------|--------|--------|--------|---------|---------|--------|-------|--------|
| 阀体材质 (Material of Body)          | 不锈钢 (Stainless Steel)                                                              |        |        |        |         |         |        |       |        |
| 动作方式 (Operating Method)          | 膜片引导式 (Film Pilot)                                                                 |        |        |        |         |         |        |       |        |
| 接管口径 (Pipe Size)                 | ZG3/8                                                                              | ZG1/2  | ZG3/4  | ZG1    | ZG1 1/4 | ZG1 1/2 | ZG2    |       |        |
| 通径 (Nominal Diameter) (mm)       | 16                                                                                 | 20     | 20     | 25     | 37      | 37      | 50     |       |        |
| 使用流体 (Applicable Fluid)          | 空气 (Air)、水 (Water)、油品 (Oil) (在 50CST 以下) (50CST below)、蒸汽 (Steam)、化学液体 (Chemicals) |        |        |        |         |         |        |       |        |
| 压力范围 (Pressure Range)            | 0 ~ 0.8MPa                                                                         |        |        |        |         |         |        |       |        |
| 使用温度 (Applicable Temperature)    | -5 ~ 99°C                                                                          |        |        |        |         |         |        |       |        |
| 额定电压 (Specified Voltage)         | AC12V                                                                              | AC24V  | AC36V  | AC110V | AC220V  | AC380V  | DC12V  | DC24V | DC110V |
| UW10-25 功率 (Power)               | 11W                                                                                | 11W    | 10W    | 12W    | 12W     | 12W     | 20W    | 20W   | 20W    |
| UW35-50 功率 (Power)               | 22W                                                                                | 22W    | 22W    | 20W    | 20W     | 20W     | 48W    | 44W   | 45W    |
| 允许电压范围 (Operating Voltage Range) | ±10%                                                                               |        |        |        |         |         |        |       |        |
| 最短励磁时间 (Min. Activating Time)    | 0.05S                                                                              |        |        |        |         |         |        |       |        |
| 安装方式 (Install Method)            | 水平安装 (Horizontal Fixing)                                                           |        |        |        |         |         |        |       |        |

### ■ 外形尺寸 (Figure Dimension)



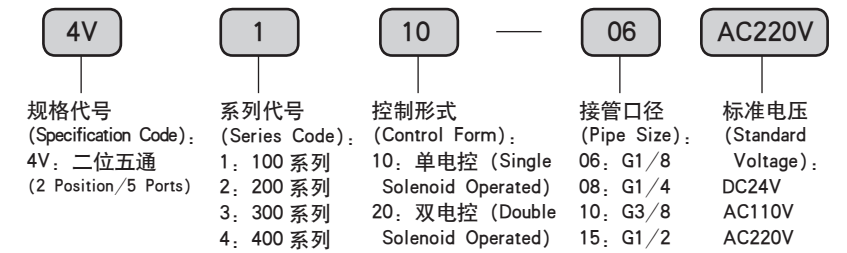
| 规格 (Specification) | A   | B   | C  | D    | E   | F       |
|--------------------|-----|-----|----|------|-----|---------|
| UWS-10             | 69  | 117 | 16 | φ 50 | 57  | ZG3/8   |
| UWS-15             | 69  | 117 | 16 | φ 50 | 57  | ZG1/2   |
| UWS-20             | 74  | 124 | 17 | φ 50 | 57  | ZG3/4   |
| UWS-25             | 99  | 135 | 23 | φ 50 | 73  | ZG1     |
| UWS-35             | 123 | 172 | 30 | φ 70 | 95  | ZG1 1/4 |
| UWS-40             | 123 | 172 | 30 | φ 70 | 95  | ZG1 1/2 |
| UWS-50             | 168 | 209 | 37 | φ 70 | 123 | ZG2     |

## 4V 系列电磁换向阀 (4V Series Solenoid Valve)

### ● 4V 系列电磁阀

由微电信号控制的电磁阀, 产品体积小、流量大、外形美观、性能可靠, 使用寿命长, 可集成安装, 是理想的方向控制元件, 适用于机电一体化领域, 有多种规格可供选用。

### ● 订购代码 (Ordering Code)



### 4V Series Solenoid Valve:

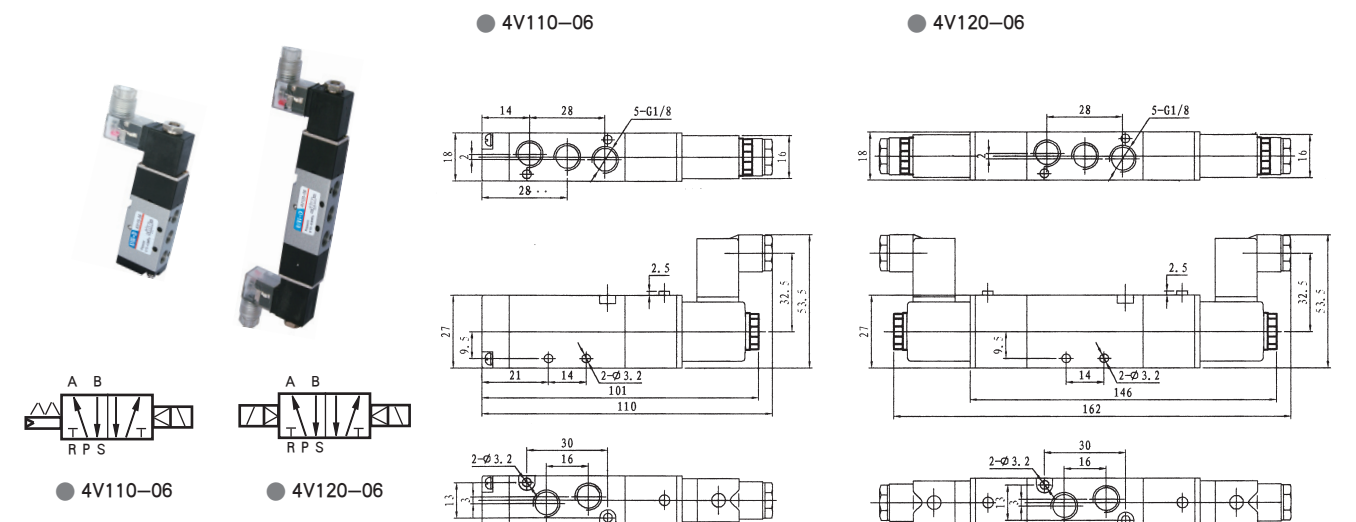
It is a pneumatic valve controlled by micro electric signal with small dimension, large flow, handsome shape, reliable performance and long service life. It can be installed in integration. It is an ideal directional control element, applicable to the electromechanical integration. There are multiple specifications for your choice.

### ■ 技术参数 (Technical Parameter)

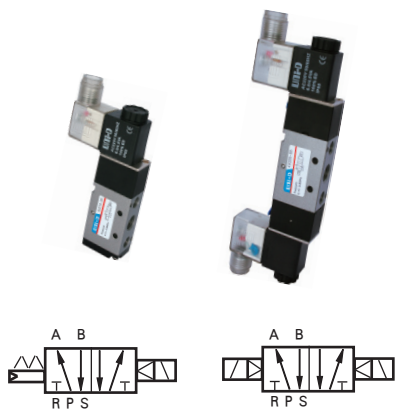
| 项目 (Item) \ 规格 (Specification) | 结构类型 (Structure Type)     | 接管螺纹 (Pipe Thread) | 通径 (mm) (Nominal Diameter) | 使用流体 (Applicable Fluid) | 压力范围 (Pressure Range) | 动作方式 (Operating Method)    | 最大动作频率 (Max Action Frequency) | 润滑 (Lubrication)   | 使用温度 (Applicable Temperature) | 功率 (Power)                |
|--------------------------------|---------------------------|--------------------|----------------------------|-------------------------|-----------------------|----------------------------|-------------------------------|--------------------|-------------------------------|---------------------------|
| 4V110-06                       | 二位五通 (2 Position/5 Ports) | G1/8               | 6                          | 压缩空气 (Compressed Air)   | 0.15 ~ 0.8 MPa        | 内部引导式 (Internally Piloted) | 5 次 / 秒 (5 Cycle/Sec)         | 不需要 (Not Required) | -5 ~ 50°C                     | AC220V=2.8W<br>DC24V=2.6W |
| 4V120-06                       |                           | G1/8               | 6                          |                         |                       |                            |                               |                    |                               |                           |
| 4V210-08                       |                           | G1/4               | 8                          |                         |                       |                            |                               |                    |                               |                           |
| 4V220-08                       |                           | G1/4               | 8                          |                         |                       |                            |                               |                    |                               |                           |
| 4V310-10                       |                           | G3/8               | 10                         |                         |                       |                            |                               |                    |                               |                           |
| 4V320-10                       |                           | G3/8               | 10                         |                         |                       |                            |                               |                    |                               |                           |
| 4V410-15                       |                           | G1/2               | 15                         |                         |                       |                            |                               |                    |                               |                           |
| 4V420-15                       |                           | G1/2               | 15                         |                         |                       |                            |                               |                    |                               |                           |
|                                |                           |                    |                            |                         |                       |                            |                               |                    |                               | AC220V=4.3W<br>DC24V=4W   |

### 二位五通电磁阀 (2 Position/5 Ports Solenoid Valve)

### ■ 外形尺寸 (Figure Dimension)

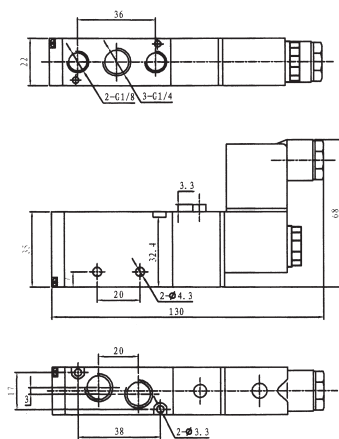


二位五通电磁阀  
(2 Position/5 Ports Solenoid Valve)

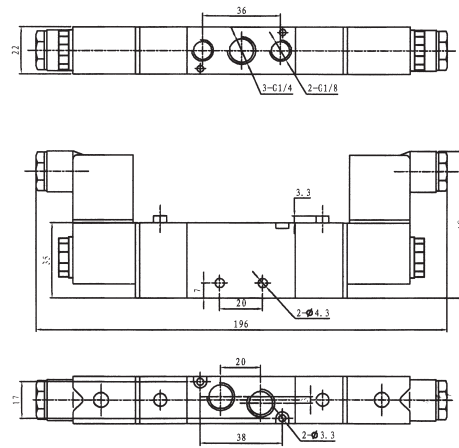


● 4V210-08      ● 4V220-08

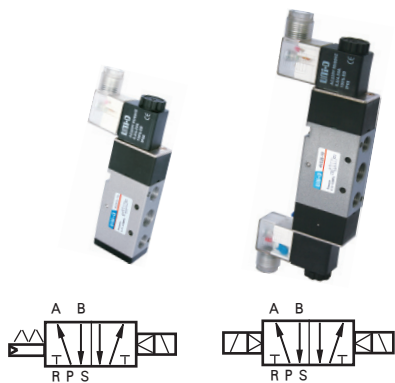
● 4V210-08



● 4V220-08

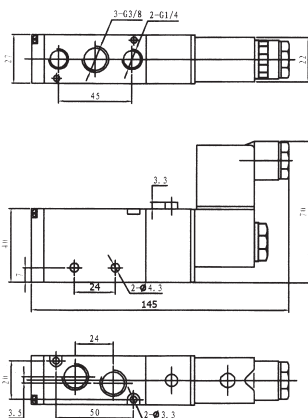


二位五通电磁阀  
(2 Position/5 Ports Solenoid Valve)

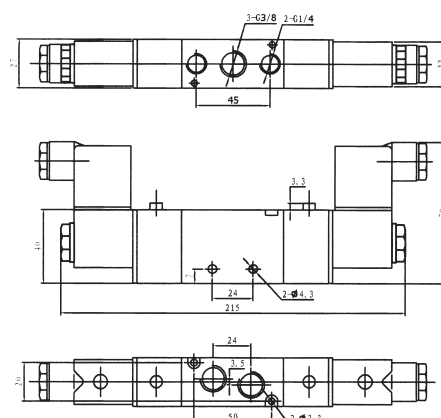


● 4V310-10      ● 4V320-10

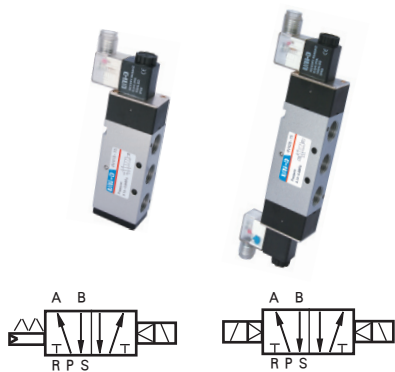
● 4V310-10



● 4V320-10

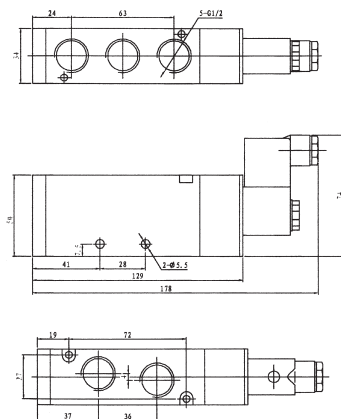


二位五通电磁阀  
(2 Position/5 Ports Solenoid Valve)



● 4V410-15      ● 4V420-15

● 4V410-15



● 4V420-15

