

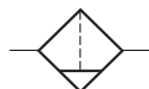
TSH high pressure water filter



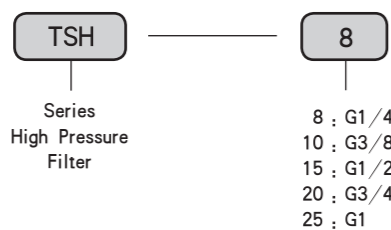
● TSH-8
● TSH-15

● TSH-20
● TSH-25

■ Graphics Sign



● Ordering Code



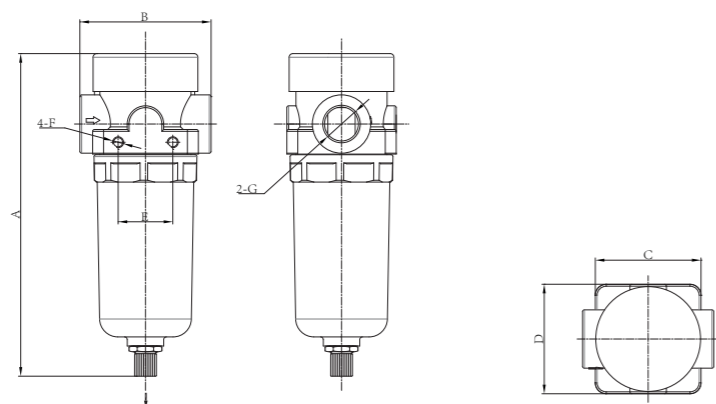
■ Specific Property

These high pressure air source treatment are self-developed products, specially designed to be used on high pressure condition, been adopted widely in high pressure pneumatic equipment such as Blow Bottle Machine.

■ Technical Parameter

Specification	TSH-8	TSH-15	TSH-20	TSH-25
Applicable Pressure	0.1 ~ 3.6Mpa			
Medium Temperature	0 ~ 60°C			
Filtration	25 ~ 75 μm			

■ Figure Dimension



Type	A	B	C	D	E	F	G
TSH-08, 10, 15	180	72	60	58	30	M6	G1/4 G3/8 G1/2
TSH-20, 25	240	110	82	82	36	M6	G3/4 G1

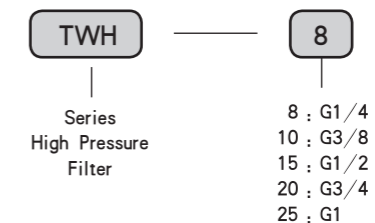
TWH high pressure filter regulator



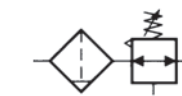
● TWH-15

● TWH-08

● Ordering Code



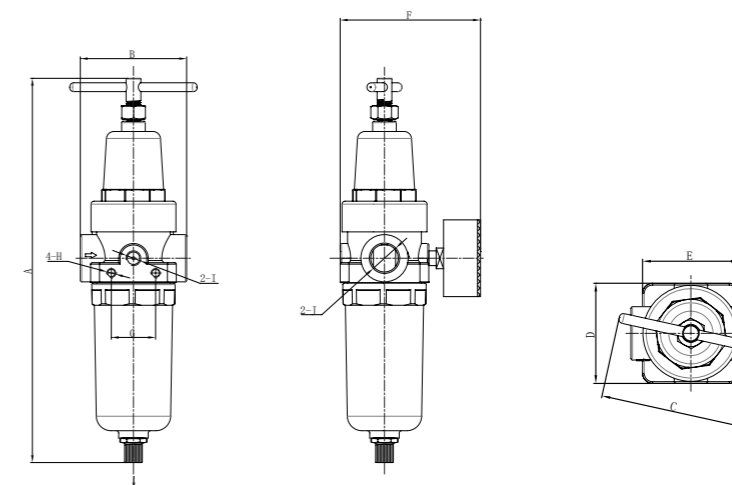
■ Graphics Sign



■ Technical Parameter

Specification	TWH-8	TWH-10	TWH-15	TWH-20	TWH-25
Applicable Medium	Air				
Filtration	5 μm ~ 40 μm				
Applicable Pressure Range	0.5 ~ 3.6MPa				
Medium Temperature	0 ~ 60°C				
Type of Valve	Relief Type				
Gauge Port Size	G1/4				

■ Figure Dimension



Type	A	B	C	D	E	F	G	H	I	J
TWH-8	280	72	88	60	58	95	30	M6	G1/4	G1/4
TWH-10	280	72	88	60	58	95	30	M6	G1/4	G3/8
TWH-15	280	72	88	60	58	95	30	M6	G1/4	G1/2
TWH-20	360	110	108	82	82	117	36	M6	G1/4	G3/4
TWH-25	360	110	108	82	82	117	36	M6	G1/4	G1