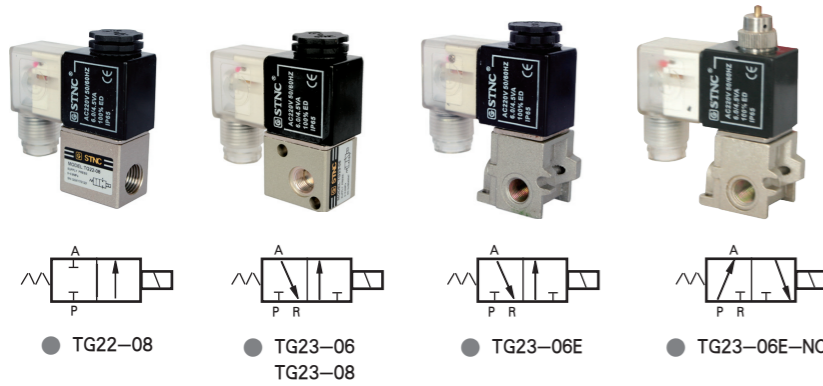


2 Positions/2 Ports, 2 Positions/3 Ports Solenoid Valve



● Ordering Code

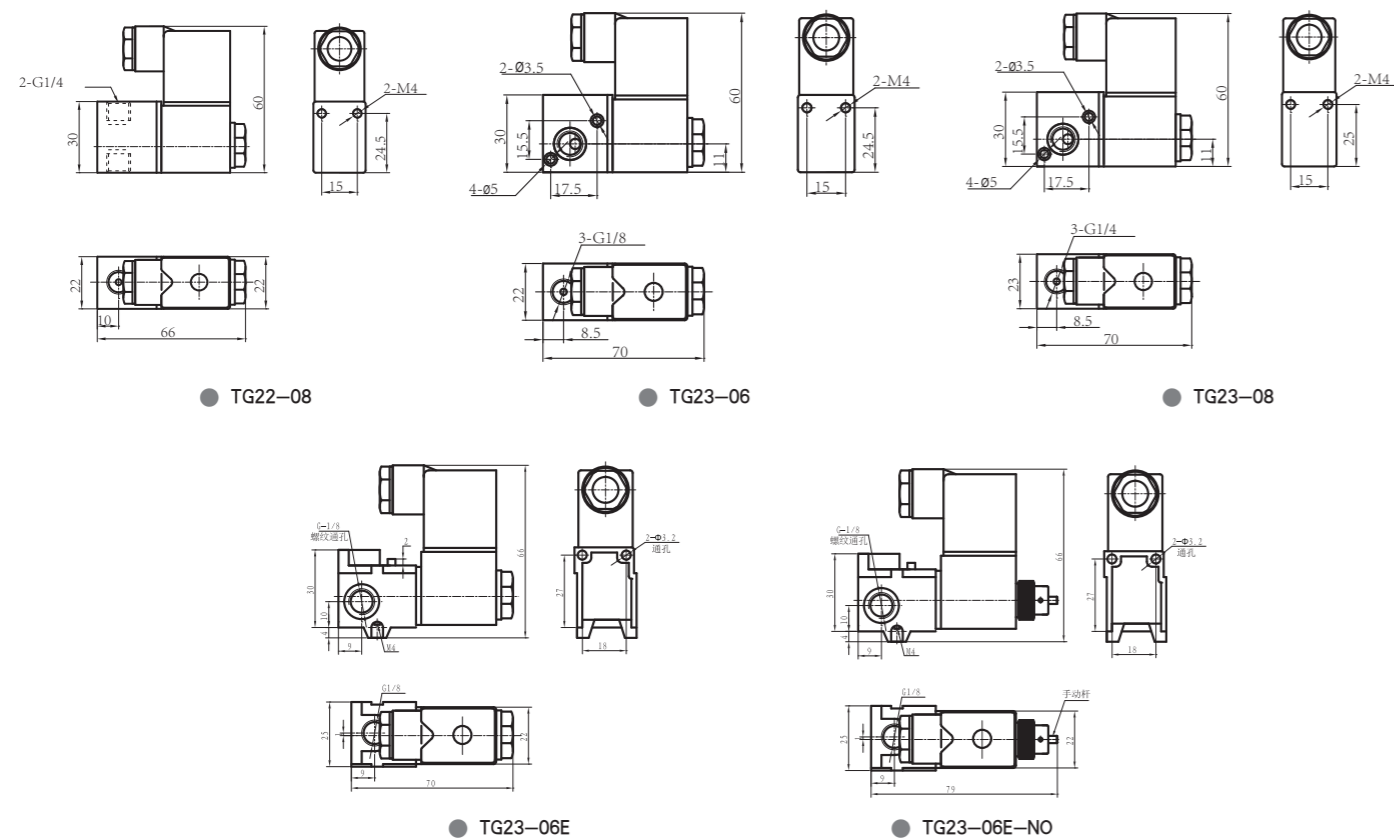
TG	22	08	AC220V
Series	Function	Pipe Size	Standard Voltage
	22 : 2 Positions/2 Ports 23 : 2 Positions/3 Ports	06 : G1/8 08 : G1/4	DC24V AC110V AC220V

TG23-06E-NO Normally Open

■ Technical Parameter

Item Specification	Function	Pipe Size	Nominal Diameter (mm)	Applicable Medium	Applicable Pressure Range	Operating Method	Max Action Frequency	Lubrication	Medium Temperature
TG22-08	2 Positions/2Ports	G1/4	2.5	Air	0 ~ 0.8MPa	Internally Piloted	5 Cycles/Sec	Needless	-5 ~ 60°C
TG23-06	2 Positions/3Ports	G1/8	1.2						
TG23-08		G1/4	1.2						
TG23-06E		G1/8	1.2						
TG23-06E-NO		G1/8	1.2						

■ Figure Dimension



TG23-06E Combine Valve

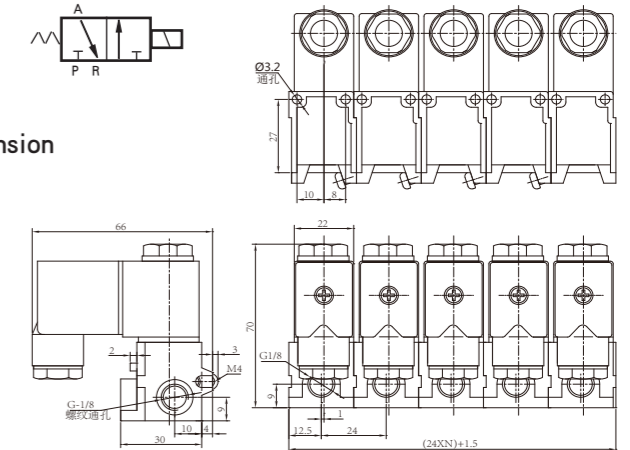
● Ordering Code

TG23-06E — 5F

Series Mainfold no.



■ Figure Dimension



■ Technical Parameter

Model Item	Structure	Prot Size	Port Size (mm)	Medium	Working Pressure	Action	Frequency	Lubrication	Lubrication Temperature	Power
TG23-06E-□ F	2 way 3 Position	G1/8	1.2	Air	0 ~ 0.8MPa	Directact	5 Cycles/sec	No Oil	-5 ~ 60°C	AC220V : 5VA DC24V : 4.8W

TG23-06 Combine Valve

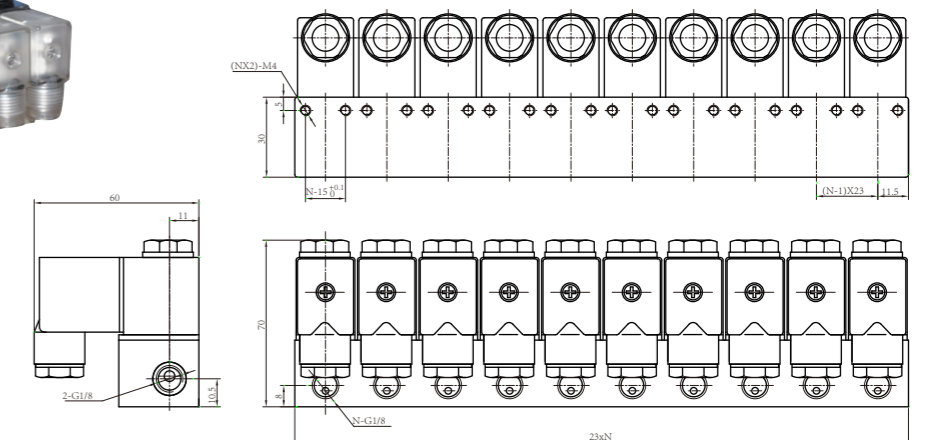
● Ordering Code

TG23-06 — 10F

Series Mainfold no.



■ Figure Dimension



■ Technical Parameter

Model Item	Structure	Prot Size	Port Size (mm)	Medium	Working Pressure	Action	Frequency	Lubrication	Lubrication Temperature	Power
TG23-06-□ F	2 way 3 Position	G1/8	1.2	Air	0 ~ 0.8MPa	Directact	5 Cycles/sec	No Oil	-5 ~ 60°C	AC220V : 5VA DC24V : 4.8W