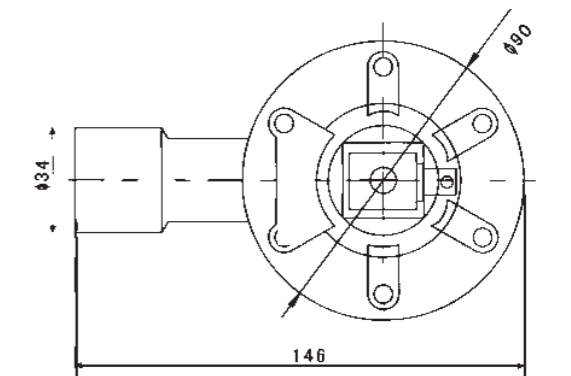
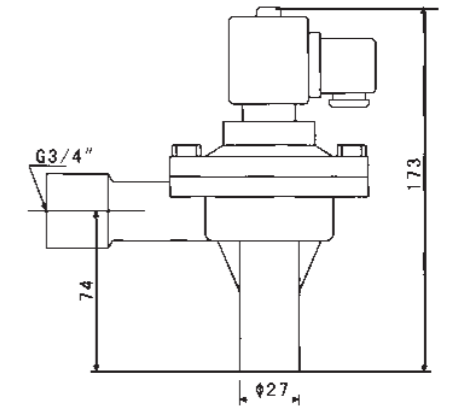


UM Series Pulse Valve

Character

This valve (disk valve) is a kind of compression air switch for blast cleaning system of pulse pocket type dust catcher and is controlled by the output signal from pulse blast controller. It blast cleans the filter bag line by line (pocket by pocket) and ensure the cleaning capacity and dust absorption efficiency of dust catcher.

Basic dimension



● UM-20A



Technical Parameter

| Item \ Specification | UM-20A  |
|----------------------|---|
| Pressure Range       | 0.4 ~ 0.6MPa  |
| Material of Body     | Clean air   |
| Specified Voltage    | DC24V AC220V AC110V   |
| current              | 0.8A 0.23A  |
| usage temperature    | Temperature : -25°C ~ +55°C , do not surpass 85% of the relative temperature of air |
| diaphragm life       | blast 1 million times or 3 years  |

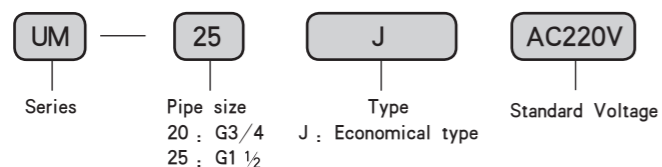
### UM Series Pulse Valve



#### Product Introduction

This valve (disk valve) is a kind of ompression air switch for blast cleaning system of pulse pocket type dust catcher and is controlled by the output signal from pulse blast controller. It blast cleans the fi lter bag line by line (pocket by pocket) and ensure the cleaning capacity and dust absorption effi cency of dust catcher.

#### Ordering Code



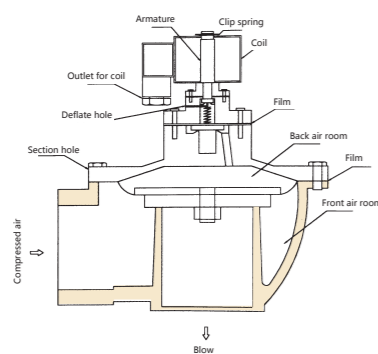
#### Installation method

Solenoid pulse valve input (in) is connected to the metal pipe of air storage cylinder, and its output is connected to the blast pipe of the dust pocket. Between the connect screw thread is fi lled with tetrafl uoroethylene tape for seal.

#### Technical Parameter

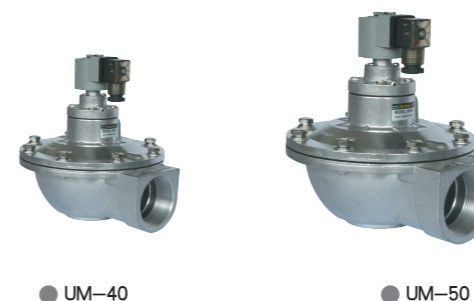
| Item \ Specification    | UM-20J  | UM-25J |
|-------------------------|---|--------|
| Material of Body        | Aluminum Alloy  |        |
| Operating Method        | Film Pilot  |        |
| Pressure Range          | 0.4 ~ 0.6MPa  |        |
| Medium Temperature      | -5 ~ 60°C   |        |
| Specified Voltage       | AC12V、AC24V、AC36V、AC110V、AC220V、AC380V、DC12V、DC24V、DC110V |        |
| Operating Voltage Range | ±10%  |        |
| Min. Activating Time    | 0.05S   |        |

#### Figure Dimension



| Type mm | Pipe Size | Length mm | Width mm | Height mm |
|---------|-----------|-----------|----------|-----------|
| UM-20J  | G3/4      | 89        | 75       | 123       |
| UM-25J  | G1        | 89        | 75       | 123       |

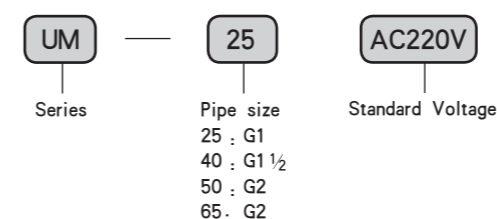
### UM Series Pulse Valve



#### Product Introduction

This valve (disk valve) is a kind of ompression air switch for blast cleaning system of pulse pocket type dust catcher and is controlled by the output signal from pulse blast controller. It blast cleans the fi lter bag line by line (pocket by pocket) and ensure the cleaning capacity and dust absorption effi cency of dust catcher.

#### Ordering Code



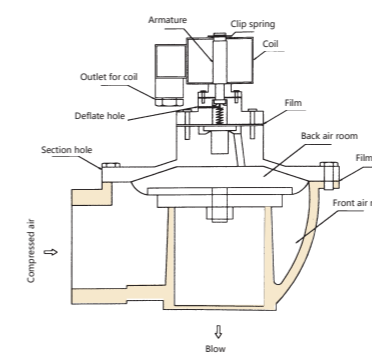
#### Installation method

Solenoid pulse valve input (in) is connected to the metal pipe of air storage cylinder, and its output is connected to the blast pipe of the dust pocket. Between the connect screw thread is fi lled with tetrafl uoroethylene tape for seal.

#### Technical Parameter

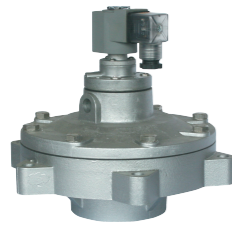
| Item \ Specification    | UM-25   | UM-40 | UM-50 | UM-65 |
|-------------------------|---|-------|-------|-------|
| Material of Body        | Aluminum Alloy  |       |       |       |
| Operating Method        | Film Pilot  |       |       |       |
| Pressure Range          | 0.4 ~ 0.6MPa  |       |       |       |
| Medium Temperature      | -5 ~ 60°C   |       |       |       |
| Specified Voltage       | AC12V、AC24V、AC36V、AC110V、AC220V、AC380V、DC12V、DC24V、DC110V |       |       |       |
| Operating Voltage Range | ±10%  |       |       |       |
| Min. Activating Time    | 0.05S   |       |       |       |

#### Figure Dimension



| Type mm | Pipe Size | Length mm | Width mm | Height mm |
|---------|-----------|-----------|----------|-----------|
| UM-25   | G1        | 110       | 85       | 125       |
| UM-40   | G1 1/2    | 140       | 125      | 170       |
| UM-50   | G2        | 210       | 190      | 200       |
| UM-65   | G2 1/2    | 210       | 190      | 225       |

### UME Series Flooding Valve



● UME-76

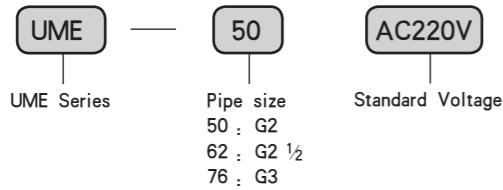


● UME-62



● UME-50

#### ● Ordering Code



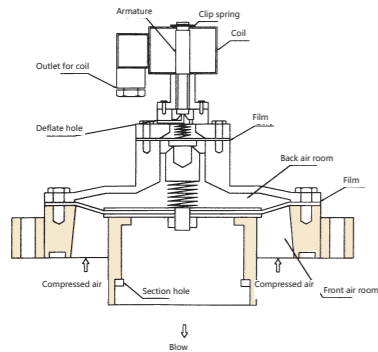
#### ■ Product Introduction

This solenoid pulse valve is a flood type valve (also called inset valve). It is directly installed on the air bag with good straight blast and less lost of working air source. It is applied to the situation with wide range of air source pressure.

#### ■ Technical Parameter

| Item \ Specification    | UME-50  | UME-62 | UME-76 |
|-------------------------|---|--------|--------|
| Material of Body        | Aluminum Alloy  |        |        |
| Operating Method        | Film Pilot  |        |        |
| Pressure Range          | 0.2 ~ 0.6MPa  |        |        |
| Medium Temperature      | -5 ~ 60°C   |        |        |
| Specified Voltage       | AC12V, AC24V, AC36V, AC110V, AC220V, AC380V, DC12V, DC24V, DC110V |        |        |
| Operating Voltage Range | ±10%  |        |        |
| Min. Activating Time    | 0.05S   |        |        |

#### ■ Figure Dimension



| Type mm | Pipe Size | Length mm | Width mm | Height mm |
|---------|-----------|-----------|----------|-----------|
| UME-50  | G2        | 250       | 250      | 210       |
| UME-62  | G2½       | 230       | 230      | 200       |
| UME-76  | G3        | 210       | 190      | 200       |

### ZF-A Series Angel-seat Valve



● ZF-A-35



● ZF-A-40



● ZF-A-50



● ZF-A-15

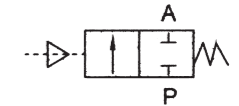


● ZF-A-20

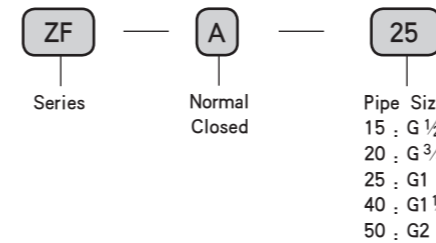


● ZF-A-25

#### ■ Graphics Sign



#### ● Ordering Code



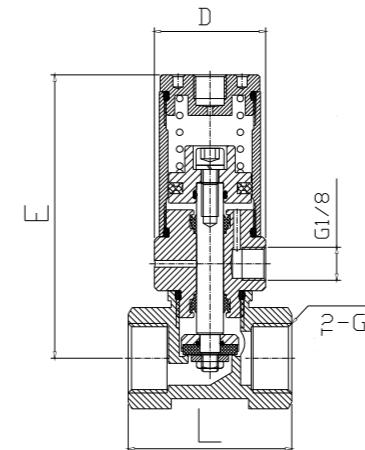
#### ■ Character

This flashback valve adopts the air operated model control, with long life, perform reliably, Easy to operate and it is suitable in the place which refuses the power source.

#### ■ Technical Parameter

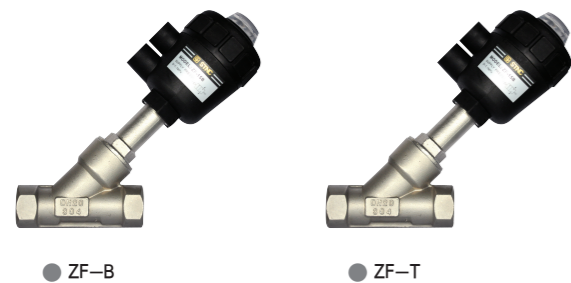
| Item \ Specification   | ZF-A-15                       | ZF-A-20 | ZF-A-25 | ZF-A-35 | ZF-A-40 | ZF-A-50 |
|------------------------|-------------------------------|---------|---------|---------|---------|---------|
| Material of Body       | Brass                         |         |         |         |         |         |
| Operating Method       | Plunger pilot                 |         |         |         |         |         |
| Pipe Size              | G 1/2                         | G 3/4   | G1      | G1 1/4  | G1 1/2  | G2      |
| Nominal Diameter (mm)  | 23                            |         |         | 34      |         |         |
| Applicable Medium      | Air, Water, Oil (50CST Below) |         |         |         |         |         |
| Pressure Range         | 0 ~ 0.8Mpa                    |         |         |         |         |         |
| Medium Temperature     | -5°C ~ 60°C (No Freeze)       |         |         |         |         |         |
| Control Pressure Range | 0.3 ~ 0.8Mpa                  |         |         |         |         |         |

#### ■ Figure Dimension

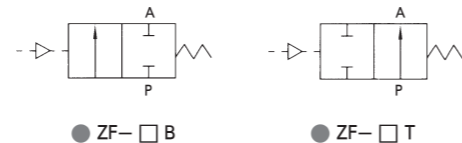


| Specification | L   | D     | G   | E   |
|---------------|-----|-------|-----|-----|
| DN15          | 48  | ø30   | G½  | 84  |
| DN20          | 55  | ø36.5 | G¾  | 91  |
| DN25          | 68  | ø44.6 | G1  | 96  |
| DN35          | 84  | ø70   | G1¼ | 140 |
| DN40          | 84  | ø70   | G1½ | 140 |
| DN50          | 100 | ø70   | G2  | 145 |

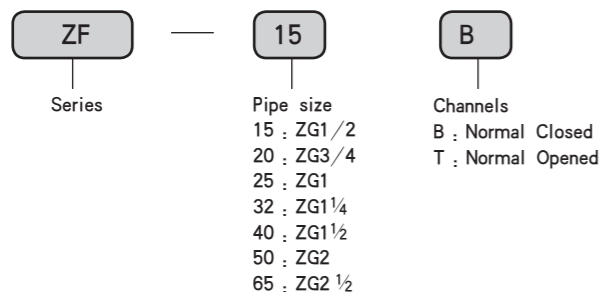
### ZF Angel-Seat Valve



#### Graphics Sign



#### Ordering Code



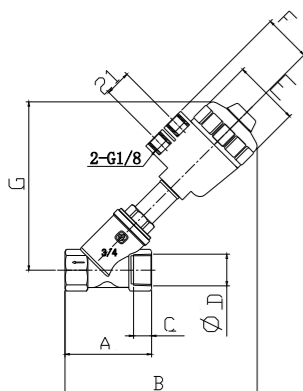
#### Specific Property

Has indicator for location of open or close of valve, external pilot witch can prolong the service life, no leak for 500 million times, free maintenance, has adjustable airproof cover between relief orifice and slide block. Material of body: stainless steel. Control air source: neutral gas, air.

#### Technical Parameter

| Item \ Specification      | Normal Closed                        | ZF-15B  | ZF-20B  | ZF-25B  | ZF-32B   | ZF-40B  | ZF-50B   | ZF-65B |
|---------------------------|--------------------------------------|---------|---------|---------|----------|---------|----------|--------|
|                           | Normal Opened                        | ZF-15T  | ZF-20T  | ZF-25T  | ZF-32T   | ZF-40T  | ZF-50T   | ZF-65T |
| Material of Body          | Stainless Steel                      |         |         |         |          |         |          |        |
| Operating Method          | Plunger Pilot                        |         |         |         |          |         |          |        |
| Applicable Medium         | Air, Water, Oil, Steam (50CST Below) |         |         |         |          |         |          |        |
| Pipe Size                 | ZG1/2                                | ZG3/4   | ZG1     | ZG1 1/4 | ZG1 1/2  | ZG2     | ZG2 1/2  |        |
| Nominal Diameter mm       | 13                                   | 20      | 25      | 32      | 40       | 50      | 65       |        |
| Kv (m <sup>3</sup> /h)    | 4.2                                  | 8       | 19      | 27.5    | 42       | 55      | 90       |        |
| Pressure Range MPa        | 0 ~ 1.6                              | 0 ~ 1.1 | 0 ~ 1.1 | 0 ~ 1.5 | 0 ~ 1.25 | 0 ~ 1.1 | 0 ~ 0.52 |        |
| Min. Control Pressure MPa | 0.39                                 | 0.39    | 0.42    | 0.5     | 0.44     | 0.32    | 0.32     |        |
| Actuator Dimension φ mm   | 50                                   | 50      | 63      | 80      | 100      | 125     | 125      |        |

#### Figure Dimension



| Pipe Size φ D | Nominal Diameter (mm) | Actuator Dimension φ mm | A   | B   | C  | φ E | F  | G   |
|---------------|-----------------------|-------------------------|-----|-----|----|-----|----|-----|
| G1/2          | 13                    | 50                      | 85  | 173 | 12 | 64  | 44 | 137 |
| G3/4          | 20                    | 50                      | 95  | 178 | 12 | 64  | 44 | 145 |
| G1            | 25                    | 63                      | 105 | 212 | 14 | 80  | 52 | 173 |
| G1 1/4        | 32                    | 63                      | 142 | 236 | 16 | 80  | 52 | 189 |
| G1 1/2        | 40                    | 63                      | 130 | 230 | 18 | 80  | 52 | 189 |
| G2            | 50                    | 63                      | 150 | 238 | 20 | 80  | 52 | 205 |
| G2 1/2        | 65                    | 80                      | 250 | 250 | 22 | 100 | 62 | 240 |

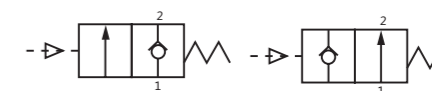
Note: The Above Flowing Direction is Inverse for the Valve Roller [G1 1/4, G1 1/2, G2] with Execuator Dimension of φ 63.

### ZF Angel-Seat Valve

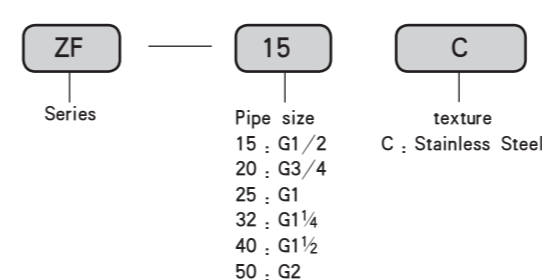
Stainless Steel



#### Graphics Sign



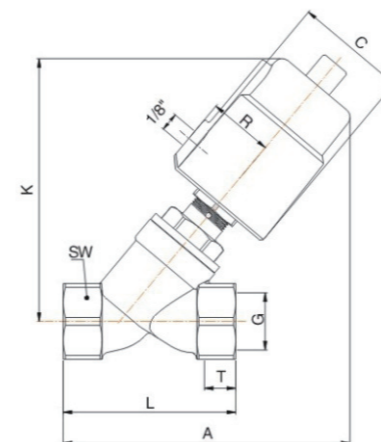
#### Ordering Code



#### Specific Property

In a non-working state, due to the spring force, valve normally open (normally closed). when the piston is effected by compressed air, Valve open (off). Double-acting form by compression molding gas control valve switch. ZF-C series of products with large flow, small flow resistance characteristics of water hammer. Y-type design flow increased by 30%. Long life. Stem automatic calibration, automatic lubrication, maintenance-free. Actuator made of stainless steel, more excellent in harsh environments, 360 degree rotation.

#### Figure Dimension

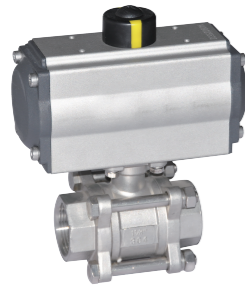


#### Technical Parameter

| Item \ Specification     | ZF-C  |
|--------------------------|---|
| Using fluid pressure     | Max 1.6MPa  |
| Control air pressure     | 0.3~0.8MPa  |
| Control gas source media | Neutral gas or air  |
| Body Material            | CF8M/CF8  |
| Sealing materials        | PTFE  |
| Cylinder material        | CF8   |
| For media                | Water, alcohol, oil, fuel, neutral gas or a liquid, acid solution, etc.                               |
| Medium viscosity         | Max 600mm/s   |
| Medium temperature       | -10°C~180°C   |
| Ambient temperature      | -10°C~80°C  |
| Control form             | Single acting normally closed, normally open, double acting normally closed, double acting free state |
| Link form                | Threaded  |

| Specification | Actuator Specifications | Path (mm) | Flow value kv(m <sup>3</sup> /h) | Differential pressure range (Mpa) | Control pressure (Mpa) | C    | R  | K   | G      | T  | A   | L   | SW |
|---------------|-------------------------|-----------|----------------------------------|-----------------------------------|------------------------|------|----|-----|--------|----|-----|-----|----|
| ZF-15C        | 50                      | 13        | 6.3                              | 0~1.6                             | ≥ 0.3                  | 50.5 | 27 | 112 | G1/2   | 15 | 124 | 68  | 27 |
| ZF-20C        | 50                      | 18        | 11.5                             | 0~1.6                             | ≥ 0.3                  | 60   | 33 | 132 | G3/4   | 16 | 140 | 75  | 32 |
| ZF-25C        | 63                      | 24        | 20.6                             | 0~1.6                             | 0.3~0.4                | 75   | 41 | 162 | G1     | 17 | 172 | 90  | 40 |
| ZF-32C        | 63                      | 31        | 30.3                             | 0~1.6                             | 0.3~0.6                | 75   | 41 | 174 | G1 1/4 | 21 | 190 | 116 | 50 |
| ZF-40C        | 63                      | 35        | 42.3                             | 0~1.6                             | 0.3~0.7                | 75   | 41 | 175 | G1 1/2 | 21 | 190 | 116 | 56 |
| ZF-50C        | 63                      | 45        | 60.7                             | 0~1.6                             | 0.3~0.7                | 75   | 41 | 175 | G2     | 22 | 230 | 138 | 69 |

QBY series pneumatic valve



■ Character

Driven by a pneumatic valve actuators to achieve valve opening and closing. Pneumatic actuator interface according to NAMUR

● Ordering Code

QBV

Series

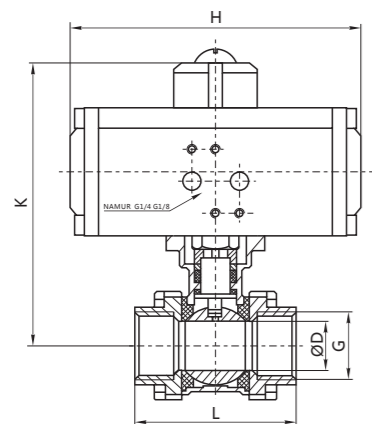
25

Pipe Size  
 08 : G1/4  
 10 : G3/8  
 15 : G1/2  
 20 : G3/4  
 25 : G1  
 32 : G1 1/4  
 40 : G1 1/2  
 50 : G2

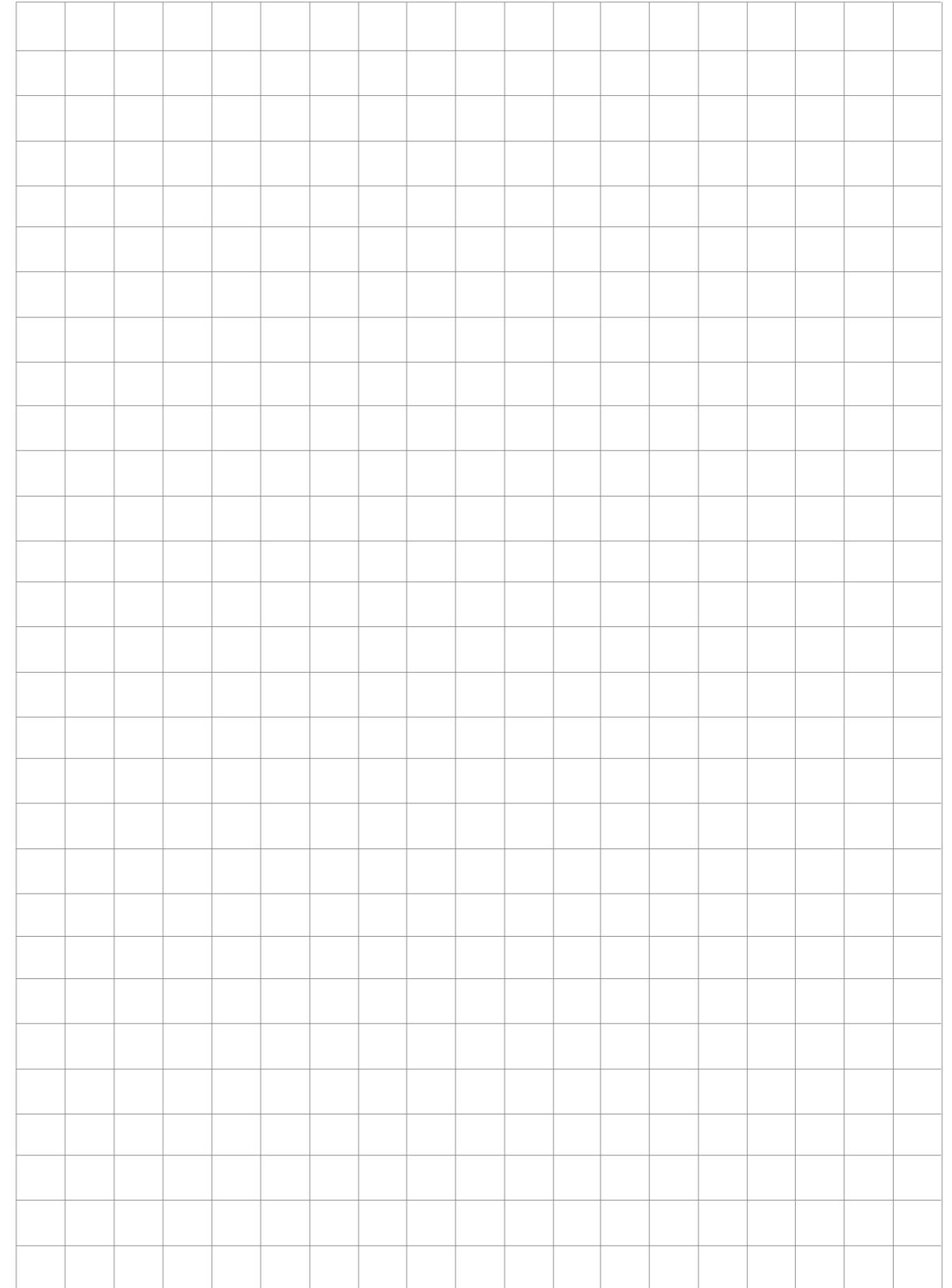
■ Technical Parameter

| Item\Specification   | QBV Series            |
|----------------------|-----------------------|
| Using fluid pressure | Max 6.9MPa            |
| Body Bonnet material | CF8M (316) /CF8 (304) |
| Stem material        | CF8M (316) /CF8 (304) |
| Packing and seals    | 304 or 316            |
| Medium temperature   | -20°C ~ 180°C         |
| Connection Type      | Threaded              |
| Sphere material      | PTFE                  |

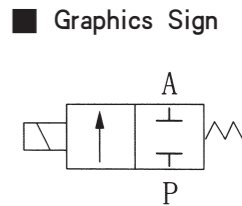
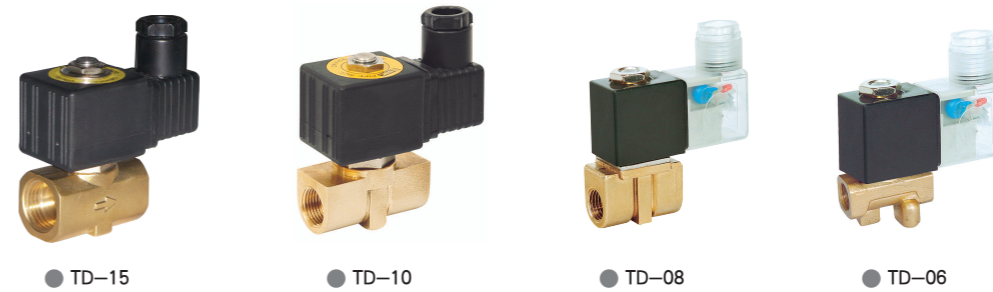
■ Figure Dimension



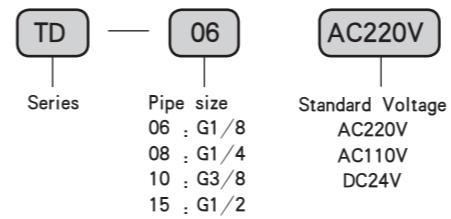
| Specification | Nominal diameter | Connection thread G | D    | L   | H   | K   |
|---------------|------------------|---------------------|------|-----|-----|-----|
| QBV-08        | DN8              | G1/4                | 12.5 | 50  | 118 | 85  |
| QBV-10        | DN10             | G3/8                | 12.5 | 50  | 118 | 85  |
| QBV-15        | DN15             | G1/2                | 15   | 62  | 118 | 90  |
| QBV-20        | DN20             | G3/4                | 20   | 70  | 122 | 95  |
| QBV-25        | DN25             | G1                  | 25   | 80  | 122 | 100 |
| QBV-32        | DN32             | G1 1/4              | 32   | 93  | 147 | 120 |
| QBV-40        | DN40             | G1 1/2              | 38   | 103 | 168 | 145 |
| QBV-50        | DN50             | G2                  | 50   | 125 | 184 | 170 |



## TD Series Solenoid Valve



### ● Ordering Code



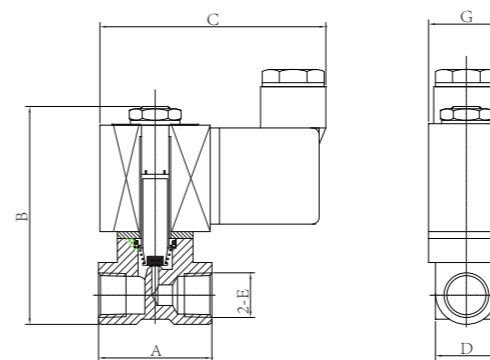
### ■ Specific Property

This valve has direct action type piston and quick action, with multiple purposes, high efficiency, long service life, good waterproof performance, multiple wiring directions and handsome shape.

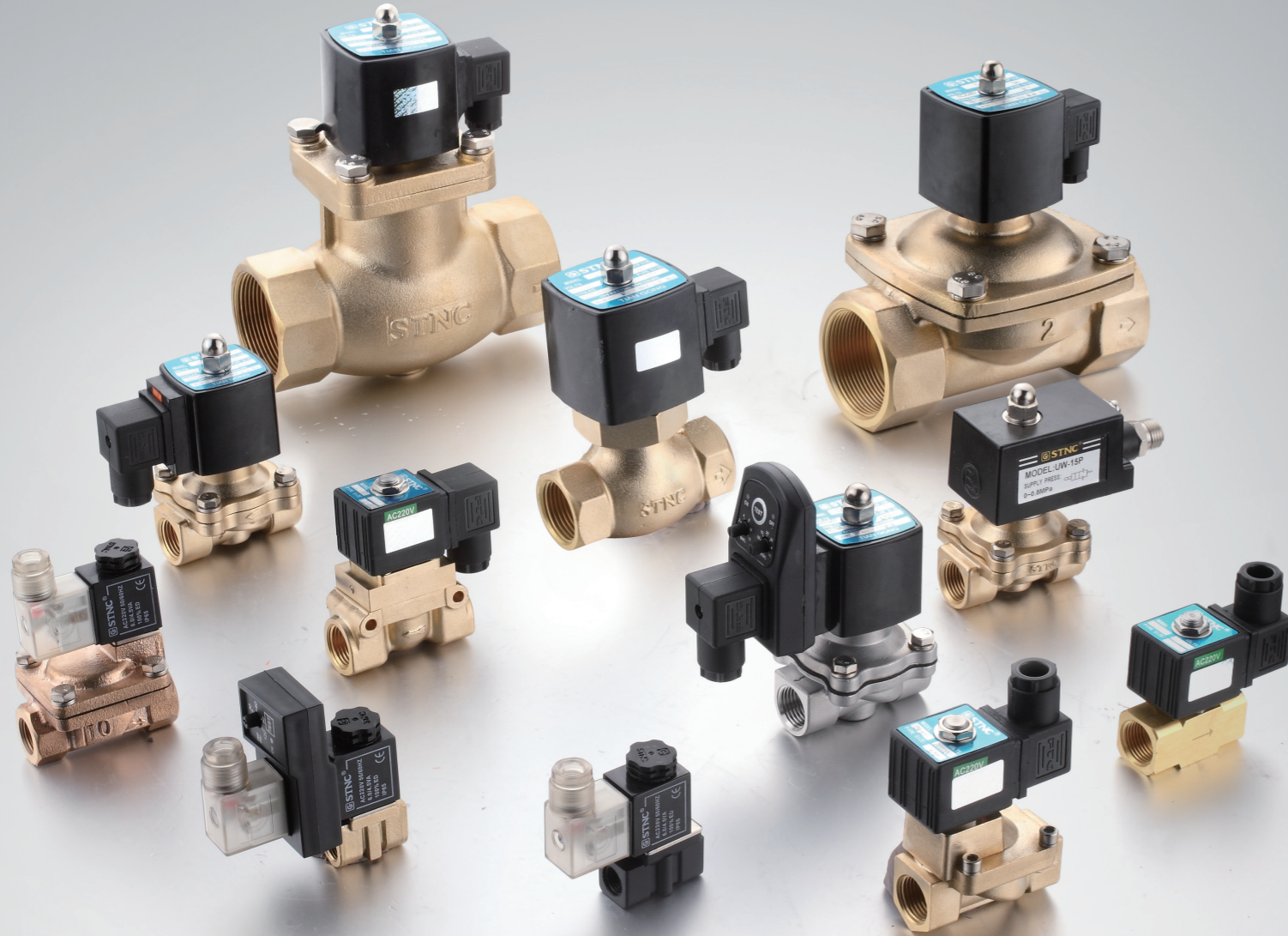
### ■ Technical Parameter

| Item \ Specification    | TD-06                                       | TD-08    | TD-10                      | TD-15 |
|-------------------------|---|----------|----------------------------|-------|
| Material of Body        | Brass                                       |          |                            |       |
| Control Method          | Direct Action Type                          |          |                            |       |
| Pipe Size               | G1/8  | G1/4     | G3/8                       | G1/2  |
| Nominal Diameter (mm)   | 2   | 2        | 3                          | 3     |
| Pressure Range          | 0 ~ 1.0MPa                                  |          |                            |       |
| Applicable Medium       | Air   | Water    | Oil                        |       |
| Medium Temperature      | -10 ~ 60°C                                  | 1 ~ 60°C | -5 ~ 60°C                  |       |
| Specified Voltage       | AC24V, AC36V, AC110V, AC220V, DC24V, DC110V |          |                            |       |
| Operating Voltage Range | ± 10%                                       |          |                            |       |
| Min. Activating Time    | 0.05S                                       |          |                            |       |
| Power                   | AC220V : 4.8VA , DC24V : 5W                 |          | AC220V : 13VA , DC24V : 9W |       |

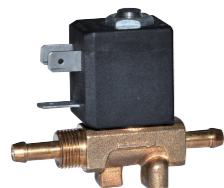
### ■ Figure Dimension



| Specification | A  | B  | C  | D  | E    | G  |
|---------------|----|----|----|----|------|----|
| TD-06         | 33 | 65 | 65 | 18 | G1/8 | 22 |
| TD-08         | 33 | 65 | 65 | 18 | G1/4 | 22 |
| TD-10         | 49 | 68 | 78 | 23 | G3/8 | 34 |
| TD-15         | 54 | 69 | 80 | 25 | G1/2 | 34 |



### TDF Series Solenoid Valve

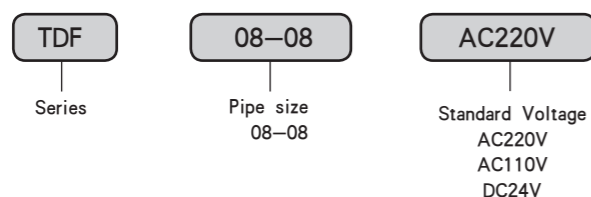


● TDF08-08

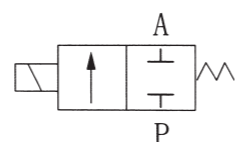
#### ■ Specific Property

This valve has direct action type piston and quick action, with multiple purposes, high efficiency, long service life, good waterproof performance, multiple wiring directions and handsome shape.

#### ● Ordering Code



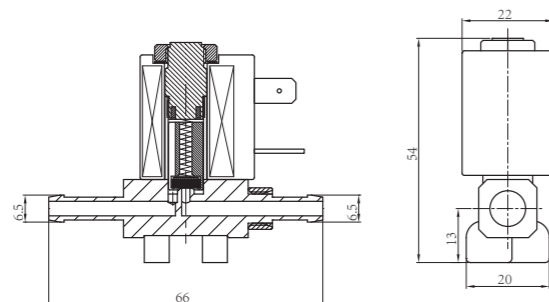
#### ■ Graphics Sign



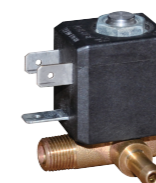
#### ■ Technical Parameter

| Item \ Specification    | TDF08-08                               |          |           |
|-------------------------|--|----------|-----------|
| Material of Body        | Brass                                  |          |           |
| Control Method          | Direct Action Type                     |          |           |
| Pipe Size               | Put 8 pipe                             |          |           |
| Nominal Diameter(mm)    | 2                                      |          |           |
| Pressure Range          | 0 ~ 1.0MPa                             |          |           |
| Applicable Medium       | Air                                    | Water    | Oil       |
| Medium Temperature      | -10 ~ 60°C                             | 1 ~ 60°C | -5 ~ 60°C |
| Specified Voltage       | AC24V、AC36V、AC110V、AC220V、DC24V、DC110V |          |           |
| Operating Voltage Range | ±10%                                   |          |           |
| Min. Activating Time    | 0.05S                                  |          |           |
| Power                   | AC220V : 4.8VA、DC24V : 5W              |          |           |

#### ■ Figure Dimension



### TDL Series Solenoid Valve

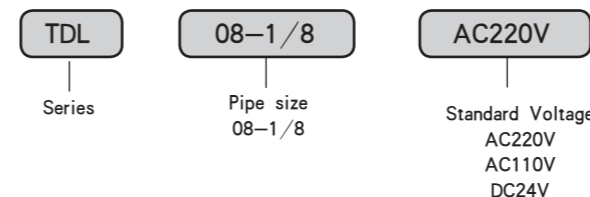


● TDL-08-1/8

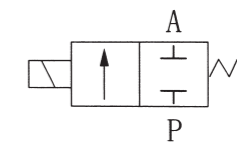
#### ■ Specific Property

This valve has direct action type piston and quick action, with multiple purposes, high efficiency, long service life, good waterproof performance, multiple wiring directions and handsome shape.

#### ● Ordering Code



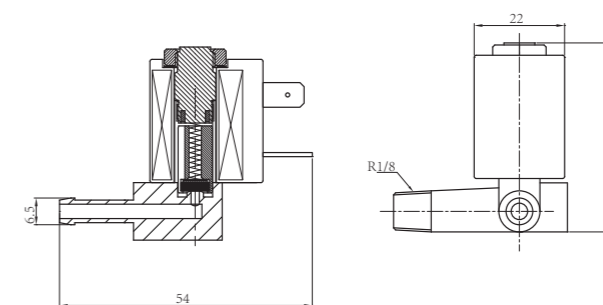
#### ■ Graphics Sign



#### ■ Technical Parameter

| Item \ Specification    | TDL08-1/8                              |          |           |
|-------------------------|--|----------|-----------|
| Material of Body        | Brass                                  |          |           |
| Control Method          | Direct Action Type                     |          |           |
| Pipe Size               | G1/8                                   |          |           |
| Nominal Diameter(mm)    | 2                                      |          |           |
| Pressure Range          | 0 ~ 1.0MPa                             |          |           |
| Applicable Medium       | Air                                    | Water    | Oil       |
| Medium Temperature      | -10 ~ 60°C                             | 1 ~ 60°C | -5 ~ 60°C |
| Specified Voltage       | AC24V、AC36V、AC110V、AC220V、DC24V、DC110V |          |           |
| Operating Voltage Range | ±10%                                   |          |           |
| Min. Activating Time    | 0.05S                                  |          |           |
| Power                   | AC220V : 4.8VA、DC24V : 5W              |          |           |

#### ■ Figure Dimension

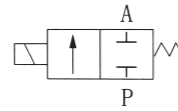


### TF Series Solenoid Valve



● TF-08

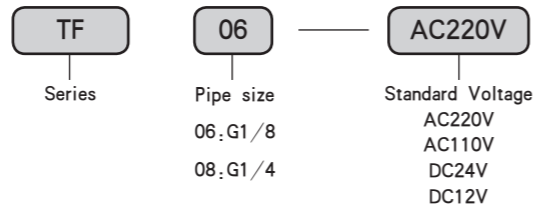
#### ■ Graphics Sign



#### ■ Character

This valve adopts direct piston action and quick action, with multiple purposes, high efficiency, long service life, good waterproof performance, multiple wiring directions and handsome shape.

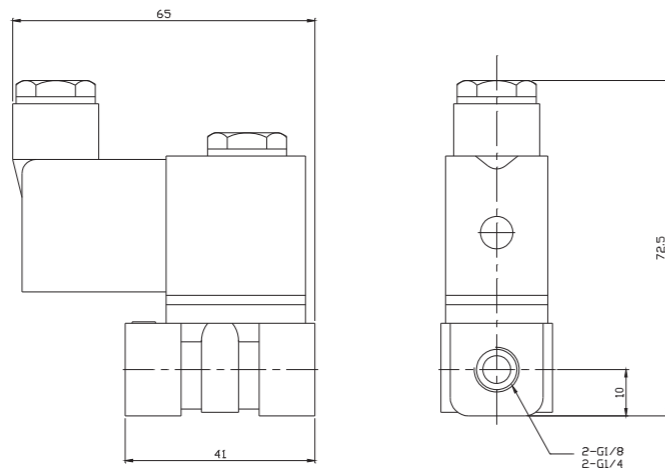
#### ● Ordering Code



#### ■ Technical Parameter

| Item \ Specification                | TF-06                       | TF-08 |
|-------------------------------------|-----------------------------|-------|
| Applicable Medium                   | Air, Water, Oil, Gas        |       |
| Operating Method                    | Direct Action Type          |       |
| Model                               | Normal closed               |       |
| Aperture                            | 2.5                         |       |
| CV value                            | 0.23                        |       |
| Pipe Size                           | G1/8"                       | G1/8" |
| Applicable Fluid consistency        | Lower than 20CST            |       |
| Using pressure Kg/cm <sup>2</sup>   | 0 ~ 0.7                     |       |
| Highest pressure Kg/cm <sup>2</sup> | 1.0                         |       |
| Medium Temperature                  | -5 ~ 60°C (No Freeze)       |       |
| The range of voltage                | ±10%                        |       |
| Material of Body                    | Project models steel        |       |
| Material of Seal                    | VITON                       |       |
| Power                               | AC220V : 4.8VA , DC24V : 5W |       |

#### ■ Figure Dimension



### PK Series Solenoid Valve

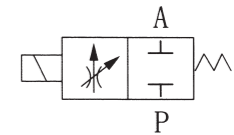


● PK-06

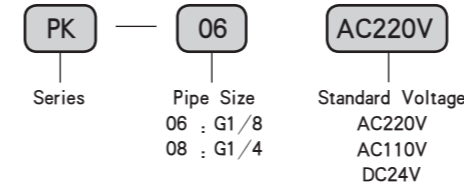


● PK-08

#### ■ Graphics Sign



#### ● Ordering Code



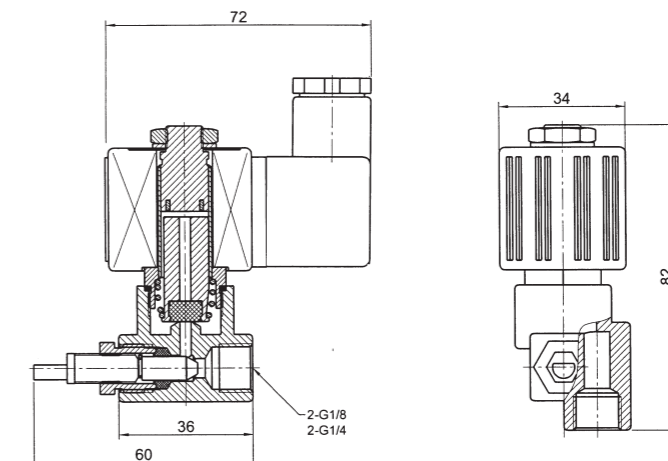
#### ■ Character

This valve adopts direct piston action and quick action, with multiple purposes, high efficiency, long service life, good waterproof performance, multiple wiring directions, handsome shape and adjustable flow.

#### ■ Technical Parameter

| Item \ Specification    | PK-06                                       | PK-08 |
|-------------------------|---|-------|
| Material of Body        | Tin Bronze                                  |       |
| Operating Method        | Direct Action Type                          |       |
| Nominal Diameter (mm)   | 3   | 3     |
| Applicable Medium       | Air, Water, Oil (50CST Below), Steam        |       |
| Pressure Range          | 0 ~ 1.0MPa                                  |       |
| Medium Temperature      | -10 ~ 85°C (No Freeze)                      |       |
| Specified Voltage       | AC24V, AC36V, AC110V, AC220V, DC24V, DC110V |       |
| Operating Voltage Range | ±15%  |       |
| Min. Activating Time    | 0.05S                                       |       |
| Power                   | AC220V : 13VA , DC24V : 9W                  |       |

#### ■ Figure Dimension



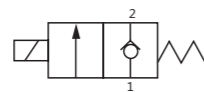


### GCF Series Solenoid Valve

High



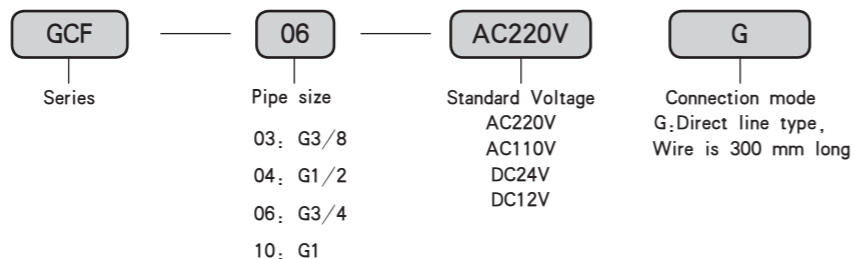
#### Graphics Sign



#### Character

Applies to control all kinds of fluid and gas media such as strong acid, strong alkali, adopting direct lift structure, stainless steel spring, completely isolated moving iron core and fluid, the body is made of teflon PTFE

#### Ordering Code



#### Technical Parameter

| Item\Specification       | GCF Series  |
|--------------------------|---|
| Working medium           | Strong acid, strong alkali, all kinds of liquid, gas, etc |
| Using the pressure range | 0 ~ 0.2MPa  |
| The rated voltage        | AC110V, AC220V, DC24V                                     |
| Sealing material         | Teflon PTFE   |
| Medium temperature       | -10 ~ 130°C   |
| The valve body material  | Teflon PTFE   |
| The control mode         | Straight moving type                                      |

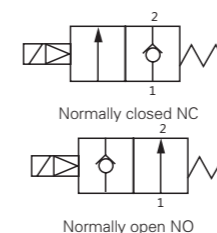
#### Specification

| Specifications | Interface | Nominal size (mm) | Cv value | Length (mm) | Height (mm) | Work pressure (bar) |
|----------------|-----------|-------------------|----------|-------------|-------------|---------------------|
| GCF-03         | G3/8      | 10                | 3.2      | 69          | 135         | 0~2                 |
| GCF-04         | G1/2      | 15                | 3.5      | 69          | 135         | 0~2                 |
| GCF-06         | G3/4      | 20                | 7        | 72          | 143         | 0~1                 |
| GCF-10         | G1        | 25                | 11       | 72          | 149         | 0~1                 |

### GPS Series Solenoid Valve



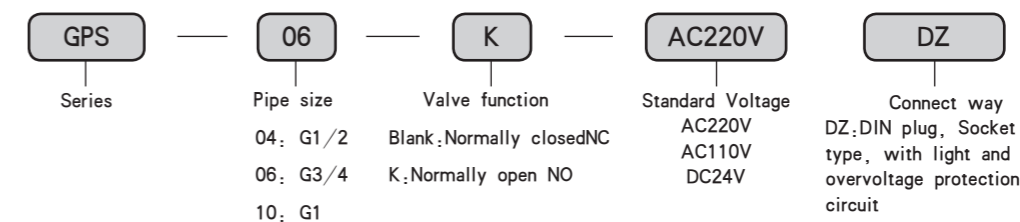
#### Graphics Sign



#### Character

The diaphragm seal structure, action quick, large flow. Quality as reinforced nylon (PA), high reliability, applicable to the liquid, gas, diluted pesticide, effects of medium, etc. With zero differential pressure starting function.

#### Ordering Code



#### Technical Parameter

| Item\Specification       | GPS Series  |
|--------------------------|---|
| Working medium           | Strong acid, strong alkali, all kinds of liquid, gas, etc |
| Using the pressure range | 0 ~ 0.7MPa  |
| The rated voltage        | AC24V, AC110V, AC220V, DC24V                              |
| Sealing material         | Nitrile rubber (NBR)                                      |
| Medium temperature       | -5 ~ 60°C   |
| The valve body material  | Reinforced nylon PA                                       |
| The control mode         | Diaphragm pilot operated                                  |
| Power                    | AC220V: 26VA, DC24V: 18W                                  |

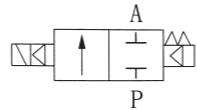
#### Specification

| Specifications | Interface | Nominal size (mm) | Cv value | Length (mm) | Height (mm) | Work pressure (bar) |     |                  |     |
|----------------|-----------|-------------------|----------|-------------|-------------|---------------------|-----|------------------|-----|
|                |           |                   |          |             |             | Normally closed NC  |     | Normally open NO |     |
|                |           |                   |          |             |             | AC                  | DC  | AC               | DC  |
| GPS-04         | G1/2      | 15                | 4.8      | 70          | 115         | 0~7                 | 0~7 | 0~6              | 0~6 |
| GPS-06         | G3/4      | 20                | 7.6      | 74          | 115         | 0~7                 | 0~7 | 0~6              | 0~6 |
| GPS-10         | G1        | 25                | 12       | 87          | 125         | 0~7                 | 0~7 | 0~6              | 0~6 |

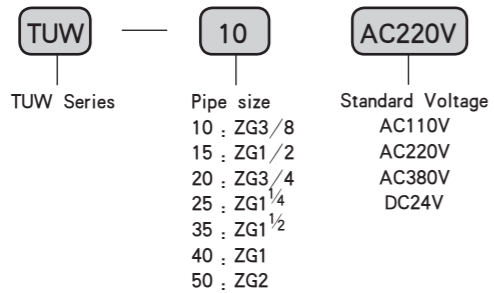
### TUW Series Solenoid Valve



#### Graphics Sign



#### Ordering Code



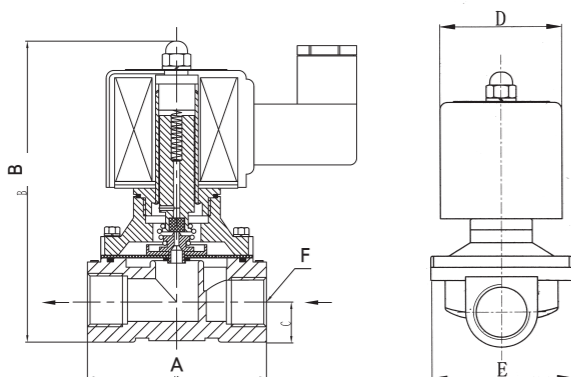
#### Character

This guiding type valve adopts the diaphragm seal structure, with zero differential pressure starting function, large flow, simple structure, easy maintenance, good waterproof performance directions and multiple wiring directions.

#### Technical Parameter

| Item \ Specification    | TUW-10  | TUW-15 | TUW-20 | TUW-25                     | TUW-35  | TUW-40  | TUW-50 |
|-------------------------|---|--------|--------|----------------------------|---------|---------|--------|
| Material of Body        | Foundry   |        |        |                            |         |         |        |
| Operating Method        | Film Pilot  |        |        |                            |         |         |        |
| Pipe Size               | ZG3/8   | ZG1/2  | ZG3/4  | ZG1                        | ZG1 1/4 | ZG1 1/2 | ZG2    |
| Nominal Diameter(mm)    | 16  | 20     | 20     | 25                         | 37      | 37      | 50     |
| Applicable Fluid        | Air, Water, Oil(50CST Bellow)                       |        |        |                            |         |         |        |
| Pressure Range          | 0 ~ 0.8MPa  |        |        |                            |         |         |        |
| Medium Temperature      | -10 ~ 60°C (No Freeze)                              |        |        |                            |         |         |        |
| Specified Voltage       | AC24V, AC36V, AC110V, AC220V, AC380V, DC24V, DC110V |        |        |                            |         |         |        |
| Operating Voltage Range | ±10%  |        |        |                            |         |         |        |
| Min. Activating Time    | 0.05S   |        |        |                            |         |         |        |
| Install Method          | Horizontal Installation                             |        |        |                            |         |         |        |
| Power                   | AC220V : 12.5VA, DC24V : 22.5W                      |        |        | AC220V : 20VA, DC24V : 30W |         |         |        |

#### Figure Dimension

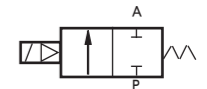


| Specification | A   | B   | C  | D  | E   | F       |
|---------------|-----|-----|----|----|-----|---------|
| TUW-10        | 70  | 102 | 13 | 48 | 57  | ZG3/8   |
| TUW-15        | 70  | 102 | 13 | 48 | 57  | ZG1/2   |
| TUW-20        | 78  | 110 | 16 | 48 | 57  | ZG3/4   |
| TUW-25        | 92  | 118 | 19 | 48 | 73  | ZG1     |
| TUW-35        | 122 | 159 | 25 | 63 | 94  | ZG1 1/4 |
| TUW-40        | 122 | 162 | 28 | 63 | 94  | ZG1 1/2 |
| TUW-50        | 170 | 182 | 35 | 63 | 124 | ZG2     |

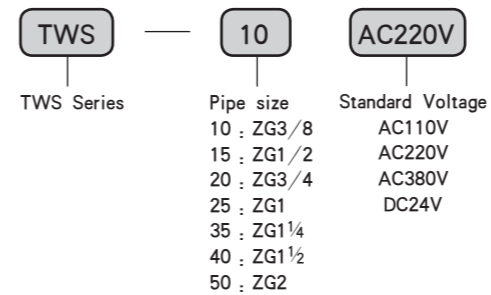
### TWS Series Solenoid Valve



#### Graphics Sign



#### Ordering Code



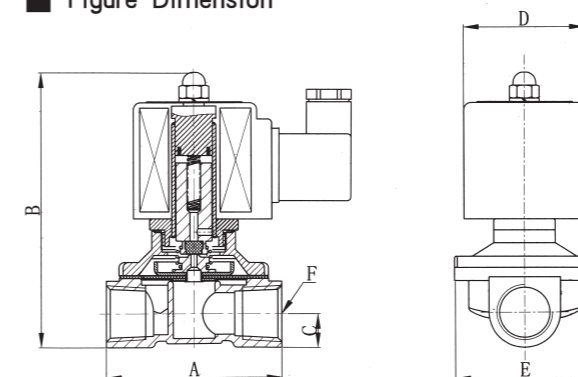
#### Character

This guiding type valve adopts the diaphragm seal structure, with zero differential pressure starting function the body adopts stainless steel, with anticorrosion, large flow, simple structure easy maintenance, good waterproof performance and multiple wiring directions.

#### Technical Parameter

| Item \ Specification    | TWS-10  | TWS-15 | TWS-20 | TWS-25                     | TWS-35  | TWS-40  | TWS-50 |
|-------------------------|---|--------|--------|----------------------------|---------|---------|--------|
| Material of Body        | Stainless Steel                                     |        |        |                            |         |         |        |
| Operating Method        | Film Pilot  |        |        |                            |         |         |        |
| Pipe Size               | ZG3/8   | ZG1/2  | ZG3/4  | ZG1                        | ZG1 1/4 | ZG1 1/2 | ZG2    |
| Nominal Diameter(mm)    | 16  | 20     | 20     | 25                         | 37      | 37      | 50     |
| Applicable Fluid        | Air, Water, Oil(50CST Bellow), Steam, Chemicals     |        |        |                            |         |         |        |
| Pressure Range          | 0 ~ 0.8MPa  |        |        |                            |         |         |        |
| Medium Temperature      | -10 ~ 60°C (No Freeze)                              |        |        |                            |         |         |        |
| Specified Voltage       | AC24V, AC36V, AC110V, AC220V, AC380V, DC24V, DC110V |        |        |                            |         |         |        |
| Operating Voltage Range | ±10%  |        |        |                            |         |         |        |
| Min. Activating Time    | 0.05S   |        |        |                            |         |         |        |
| Install Method          | Horizontal Installation                             |        |        |                            |         |         |        |
| Power                   | AC220V : 12.5VA, DC24V : 22.5W                      |        |        | AC220V : 20VA, DC24V : 30W |         |         |        |

#### Figure Dimension



| Specification | A   | B   | C  | D      | E   | F       |
|---------------|-----|-----|----|--------|-----|---------|
| TWS-10        | 70  | 102 | 13 | φ 48   | 57  | ZG3/8   |
| TWS-15        | 70  | 102 | 13 | φ 48   | 57  | ZG1/2   |
| TWS-20        | 78  | 110 | 16 | φ 48   | 57  | ZG3/4   |
| TWS-25        | 92  | 118 | 19 | φ 48   | 73  | ZG1     |
| TWS-35        | 122 | 159 | 25 | φ 63.5 | 94  | ZG1 1/4 |
| TWS-40        | 122 | 162 | 28 | φ 63.5 | 94  | ZG1 1/2 |
| TWS-50        | 170 | 182 | 35 | φ 63.5 | 124 | ZG2     |

### UWK Series Normally Open Solenoid Valve



● UWK-25

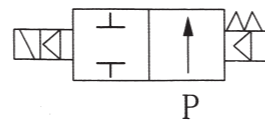


● UWK-20



● UWK-15

■ Graphics Sign



● Ordering Code

**UWK**  
Series

**10**  
Pipe size

- 10 : ZG3/8
- 15 : ZG1/2
- 20 : ZG3/4
- 25 : ZG1
- 35 : ZG1 1/4
- 40 : ZG1 1/2
- 50 : ZG2

**AC220V**  
Standard Voltage

- AC220V
- AC110V
- DC24V

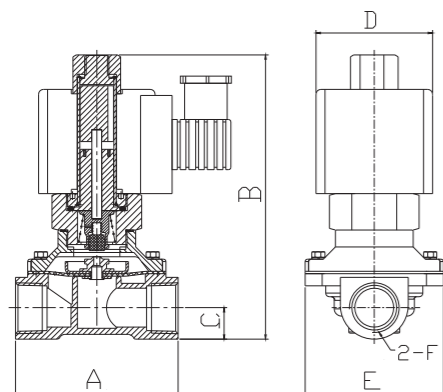
■ Character

This guiding type valve adopts the diaphragm seal structure, with zero differential pressure starting function, large flow, simple structure, easy maintenance, good waterproof performance directions and multiple wiring directions.

■ Technical Parameter

| Item \ Specification    | UWK-10                                      | UWK-15 | UWK-20 | UWK-25 | UWK-35 | UWK-40 | UWK-50 |
|-------------------------|---|--------|--------|--------|--------|--------|--------|
| Material of Body        | Cast copper                                 |        |        |        |        |        |        |
| Operating Method        | Film Pilot                                  |        |        |        |        |        |        |
| Nominal Diameter (mm)   | 16  | 20     | 20     | 25     | 37     | 37     | 50     |
| Applicable Medium       | Air, Water, Oil (50CST Below)               |        |        |        |        |        |        |
| Pressure Range          | 0 ~ 0.8MPa                                  |        |        |        |        |        |        |
| Medium Temperature      | -10 ~ 60°C (No Freeze)                      |        |        |        |        |        |        |
| Specified Voltage       | AC24V, AC36V, AC110V, AC220V, DC24V, DC110V |        |        |        |        |        |        |
| Operating Voltage Range | ±10%  |        |        |        |        |        |        |
| Min. Activating Time    | 0.05S                                       |        |        |        |        |        |        |
| Install Method          | Horizontal Installation                     |        |        |        |        |        |        |
| Power                   | AC220V : 12.5VA, DC24V : 22.5W              |        |        |        |        |        |        |

■ Figure Dimension



| Specification | A   | B   | C  | D  | E   | F       |
|---------------|-----|-----|----|----|-----|---------|
| UWK-10        | 70  | 128 | 16 | 48 | 57  | ZG3/8   |
| UWK-15        | 70  | 128 | 16 | 48 | 57  | ZG1/2   |
| UWK-20        | 78  | 136 | 17 | 48 | 57  | ZG3/4   |
| UWK-25        | 102 | 145 | 23 | 48 | 73  | ZG1     |
| UWK-35        | 122 | 185 | 25 | 63 | 94  | ZG1 1/4 |
| UWK-40        | 122 | 190 | 28 | 63 | 94  | ZG1 1/2 |
| UWK-50        | 170 | 212 | 35 | 63 | 124 | ZG2     |

### TE Series Solenoid Valve



● TE-15

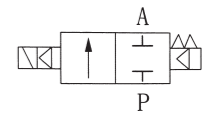


● TE-20



● TE-25

■ Graphics Sign



● Ordering Code

**TE**  
Series

**10**  
Pipe size

- 10 : ZG3/8
- 15 : ZG1/2
- 20 : ZG3/4
- 25 : ZG1

**AC220V**  
Standard Voltage

- AC220V
- AC110V
- DC24V

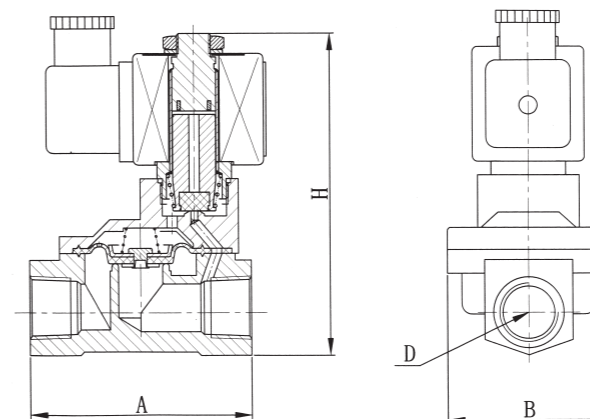
■ Specific Property

This guiding type valve adopts the diaphragm seal structure with quick action, large flow, simple structure, easy maintenance, good waterproof performance and multiple wiring directions.

■ Technical Parameter

| Item \ Specification    | TE-10                        | TE-15    | TE-20             | TE-25 |
|-------------------------|------------------------------|----------|-------------------|-------|
| Material of Body        | Brass                        |          |                   |       |
| Operating Method        | Film Pilot                   |          |                   |       |
| Nominal Diameter (mm)   | 13                           | 13       | 20                | 25    |
| Applicable Medium       | Air                          | Water    | Oil (50CST Below) |       |
| Pressure Range          | -10 ~ 60°C                   | 1 ~ 60°C | -5 ~ 60°C         |       |
| Medium Temperature      | 0.1 ~ 1MPa                   |          |                   |       |
| Specified Voltage       | AC24V, AC110V, AC220V, DC24V |          |                   |       |
| Operating Voltage Range | ±10%                         |          |                   |       |
| Min. Activating Time    | 0.05S                        |          |                   |       |
| Power                   | AC220V : 13VA, DC24V : 9W    |          |                   |       |

■ Figure Dimension



| Specification | A  | B  | D     | H   |
|---------------|----|----|-------|-----|
| TE-10         | 66 | 48 | ZG3/8 | 112 |
| TE-15         | 66 | 48 | ZG1/2 | 112 |
| TE-20         | 96 | 70 | ZG3/4 | 131 |
| TE-25         | 96 | 70 | ZG1   | 131 |

### UH Series High-Pressure Solenoid Valve



● UH-25

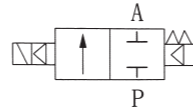


● UH-15

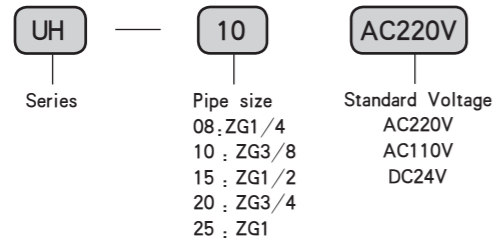


● UH-08

#### Graphics Sign



#### Ordering Code



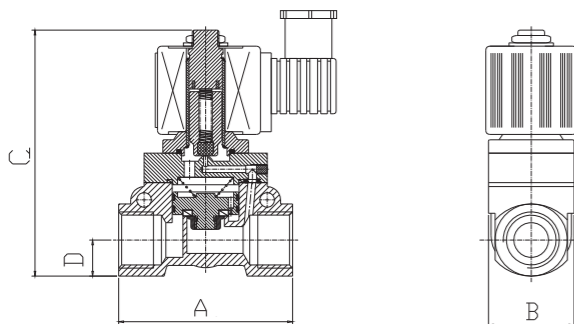
#### Character

This guiding type valve adopts the diaphragm seal structure, with zero differential pressure starting function, large flow, simple structure, easy maintenance, good waterproof performance directions and multiple wiring directions.

#### Technical Parameter

| Item \ Specification    | UH-08                                       | UH-10 | UH-15 | UH-20 | UH-25 |
|-------------------------|---|-------|-------|-------|-------|
| Material of Body        | Cast copper                                 |       |       |       |       |
| Operating Method        | Plunger Pilot                               |       |       |       |       |
| Nominal Diameter(mm)    | 14  | 14    | 14    | 20    | 25    |
| Applicable Medium       | Air, Water, Oil(20CST Below)                |       |       |       |       |
| Pressure Range          | 0.3 ~ 5.0MPa                                |       |       |       |       |
| Medium Temperature      | 0 ~ 90°C (No Freeze)                        |       |       |       |       |
| Specified Voltage       | AC24V, AC36V, AC110V, AC220V, DC24V, DC110V |       |       |       |       |
| Operating Voltage Range | ±10%  |       |       |       |       |
| Min. Activating Time    | 0.05S                                       |       |       |       |       |
| Install Method          | Horizontal Installation                     |       |       |       |       |
| Power                   | AC220V : 13VA, DC24V : 9W                   |       |       |       |       |

#### Figure Dimension



| Specification | A  | B  | C   | D  |
|---------------|----|----|-----|----|
| UH-08         | 65 | 33 | 90  | 16 |
| UH-10         | 65 | 33 | 90  | 16 |
| UH-15         | 65 | 33 | 90  | 16 |
| UH-20         | 92 | 45 | 120 | 20 |
| UH-25         | 92 | 45 | 120 | 20 |

### TUS Series High-temperature Solenoid Valve



● TUS-50

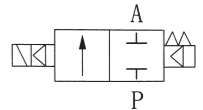


● TUS-25

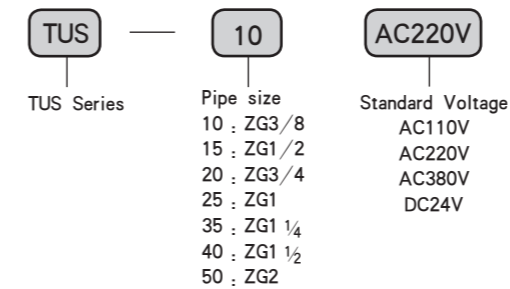


● TUS-15

#### Graphics Sign



#### Ordering Code



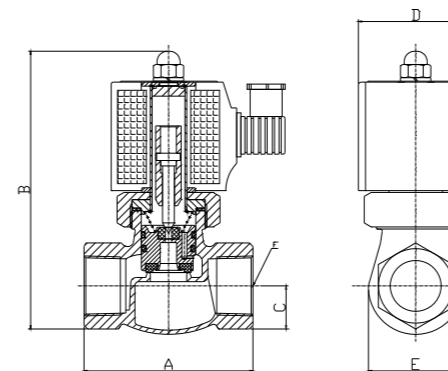
#### Character

It adopts teflon hard seal structure, with reliable performance, anticorrosion, high-temperature resistance, large flow, high pressure, good waterproof performance and multiple wiring directions.

#### Technical Parameter

| Item \ Specification    | TUS-10  | TUS-15 | TUS-20 | TUS-25 | TUS-35  | TUS-40  | TUS-50 |
|-------------------------|---|--------|--------|--------|---------|---------|--------|
| Material of Body        | Foundry   |        |        |        |         |         |        |
| Operating Method        | Plunger pilot                                       |        |        |        |         |         |        |
| Pipe Size               | ZG3/8   | ZG1/2  | ZG3/4  | ZG1    | ZG1 1/4 | ZG1 1/2 | ZG2    |
| Nominal Diameter(mm)    | 17  | 17     | 17     | 20     | 30      | 30      | 50     |
| Applicable Fluid        | Air, Water, Oil(20CST Below), Steam                 |        |        |        |         |         |        |
| Pressure Range          | 0.05 ~ 1.5MPa                                       |        |        |        |         |         |        |
| Medium Temperature      | -5 ~ 185°C (No Freeze)                              |        |        |        |         |         |        |
| Specified Voltage       | AC24V, AC36V, AC110V, AC220V, AC380V, DC24V, DC110V |        |        |        |         |         |        |
| Operating Voltage Range | ±10%  |        |        |        |         |         |        |
| Min. Activating Time    | 0.05S   |        |        |        |         |         |        |
| Install Method          | Horizontal Installation                             |        |        |        |         |         |        |
| Power                   | AC220V : 20VA, DC24V : 30W                          |        |        |        |         |         |        |

#### Figure Dimension



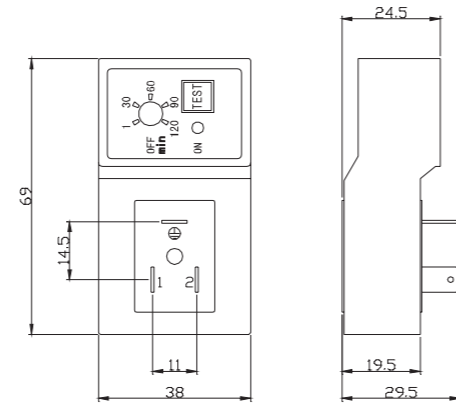
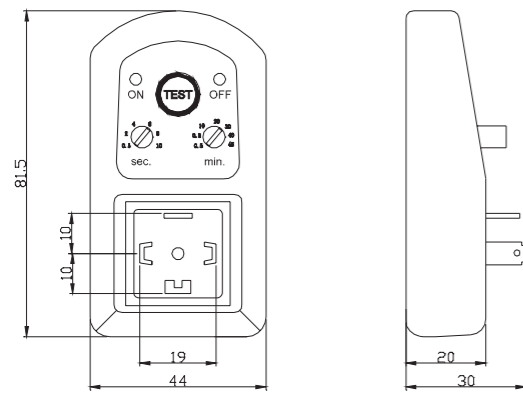
| Specification | A   | B   | C  | D  | E  | F       |
|---------------|-----|-----|----|----|----|---------|
| TUS-10        | 85  | 136 | 15 | 63 | 40 | ZG3/8   |
| TUS-15        | 85  | 136 | 15 | 63 | 40 | ZG1/2   |
| TUS-20        | 85  | 136 | 20 | 63 | 40 | ZG3/4   |
| TUS-25        | 93  | 146 | 23 | 63 | 52 | ZG1     |
| TUS-35        | 112 | 166 | 35 | 63 | 70 | ZG1 1/4 |
| TUS-40        | 112 | 166 | 35 | 63 | 70 | ZG1 1/2 |
| TUS-50        | 168 | 205 | 45 | 63 | 86 | ZG2     |

Timer



type : XY-720

type : XY-711



| Item \ specification      | XY-720              | XY-711          |
|---------------------------|---------------------|-----------------|
| Voltage                   | 24...240V           | AC/DC-50Hz/60Hz |
| Quiescent current         | 4mA Max             |                 |
| Working temperature       | -10° + 50°          |                 |
| Protection grade          | IP65-EN60529        |                 |
| Switch sustaining voltage | 400V Max            |                 |
| Contact capacity          | 1A                  |                 |
| Instantaneous current     | 10A for 10ms        |                 |
| Switch life               | 3 X 10 <sup>8</sup> |                 |
| Indicator                 | Yellow LED          |                 |
| Connection type           | DIN43650A           |                 |

Coil



● Character

The coils produced by our company are in various types and specifications with handsome shape, reliable performance, long service life, low consumption of power, high and low temperature resistance, good fire resistance and high mechanical strength, it can meet the requirements of different pneumatic elements. They are multiple designed pressures for your choice. Special specifications can be made to order (AC12V~AC380V, DC6V~DC220V).

| Type                              | Power                      | Picture | Figure Dimension | Suitable Type   |
|-----------------------------------|----------------------------|---------|------------------|---|
| TG2511CT-□                        | AC220V: 4VA<br>DC24V: 2.6W |         |                  | TG2511-06<br>TG2512-06  |
| 4V210CL-□                         | AC220V: 5VA<br>DC24V: 4.8W |         |                  | 4V210-08, 4V310-10<br>4V410-15, TG2321-08<br>TG2331-10, TG2521-08<br>TG2522-08T, G2531-10<br>TG2532-10T, G2541-15<br>TG2542-15T, G2521-06<br>TG2521-08M, TG3522-08C<br>TG3532-10C,                |
| TG2521CL-□                        | AC220V: 5VA<br>DC24V: 4.8W |         |                  | TG2321-08<br>TG2331-10, TG2521-08<br>TG2522-08T, G2531-10<br>TG2532-10T, G2541-15<br>TG2542-15T, G2521-06<br>TG2521-08M, TG3522-08C<br>TG3532-10C, FG2521-08<br>FG2522-08, FG2531-10<br>FG2532-10 |
| TG2521CL-□ S<br>S : Die Cast Coil | AC220V: 5VA<br>DC24V: 4.8W |         |                  | TG2321-08<br>TG2331-10, TG2521-08<br>TG2522-08T, G2531-10<br>TG2532-10T, G2541-15<br>TG2542-15T, G2521-06<br>TG2521-08M, TG3522-08C<br>TG3532-10C, FG2521-08<br>FG2522-08, FG2531-10<br>FG2532-10 |

Coil

| Type         | Power  | Picture | Figure Dimension | Suitable Type                             |
|--------------|--|---------|------------------|---|
| TM-06C-□     | DC24V : 5.5W<br>DC12V : 5.7W                 |         |                  | TM-06                                     |
| TM-08C-□     | AC220V : 3.7VA<br>DC24V : 7W<br>DC12V : 6.1W |         |                  | TM-08                                     |
| VT307C-□     | AC220V : 3.7VA<br>DC24V : 5.4W               |         |                  | VT307                                     |
| ZDZ / ZDXC-□ | DC24V : 2W                                   |         |                  | ZDZ23-08/04<br>ZDX23-08/06                |
| PKC □        | AC220V : 13VA<br>DC24V : 9W                  |         |                  | TD-08<br>TD-10<br>TD-15<br>PK-06<br>PK-08 |

Coil

| Type       | Power                           | Picture | Figure Dimension | Suitable Type  |
|------------|---------------------------------|---------|------------------|--|
| UX23-2LC-□ | AC220V : 10VA<br>DC24V : 9W     |         |                  | UX22-2L, UX23-2L   |
| UD-8C-□    | AC220V : 9VA<br>DC24V : 11W     |         |                  | UZ-B-06, UZ-B-08<br>UZ-B-10<br>UZ-C-06, UZ-C-08<br>UZ-C-10<br>UD-8, UD-6<br>UF-06, UF-08, UF-10<br>UW-C-06, UW-C-08<br>UW-C-10 |
| UW-25C-□   | AC220V : 12VA<br>DC24V : 20W    |         |                  | UW-25, UW-20,<br>UW-15, UW-10, UD-10   |
| USC-□      | AC220V : 20VA<br>DC24V : 44W    |         |                  | US-10, US-15,<br>US-20, US-25, US-35,<br>US-40, US-50, UW-35,<br>UW-40, UW-50  |
| TUWC       | AC220V : 12.5W<br>DC24V : 22.5W |         |                  | TUW-10, TUW-15<br>TUW-25, TWS-10<br>TWS-15, TWS-20<br>TWS-25, UWK-15<br>UWK-20, UWK-25   |
| TUSC       | AC220V : 20W<br>DC24V : 30W     |         |                  | TUS-10, TUS-15, TUS-20<br>TUS-25, TUS-35, TUS-40<br>TUS-50, TUW-35, TUW-40<br>TUW-50, TWS-35, TWS-40<br>TWS-50                 |