

2 Positions/3 Ports Mechanical Valve

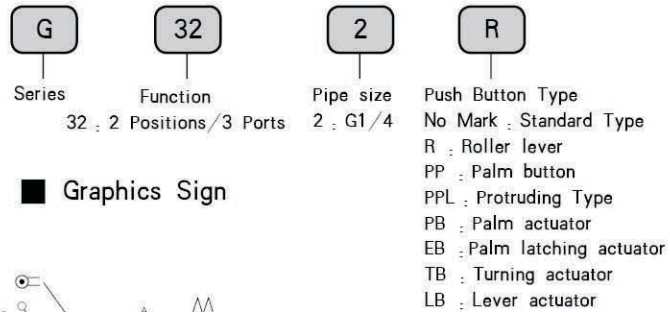


● G322 ● G322R ● G322PP ● G322PPL ● G322PB ● G322EB ● G322TB ● G322LB

Technical Parameter

Specification	G322R, PP, PPL, PB, EB, TB, LB
Applicable Medium	Air
Pressure Range	0 ~ 1.0MPa
Control Method	Mechanical Control, Manually Control
Lubrication	Needless
Medium Temperature	-5 ~ 60°C
The Button's Standard Color	black : LB red : PP, PPL, PB, EB, TB
The Button's Color Available	green, black : PP, PPL, PB, TB

Ordering Code



Graphics Sign

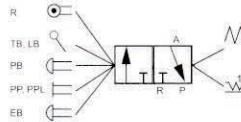
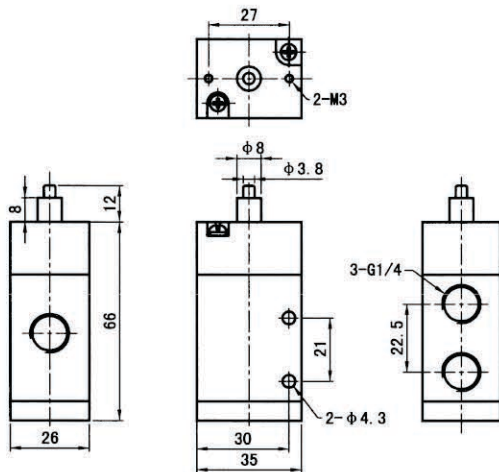
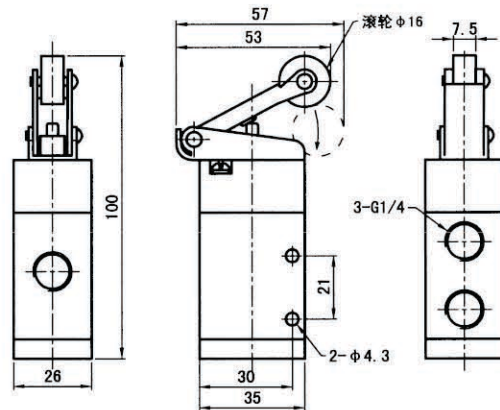


Figure Dimension

● G322



● G322R



(Note : the push button types of G332 are the same as G321's)